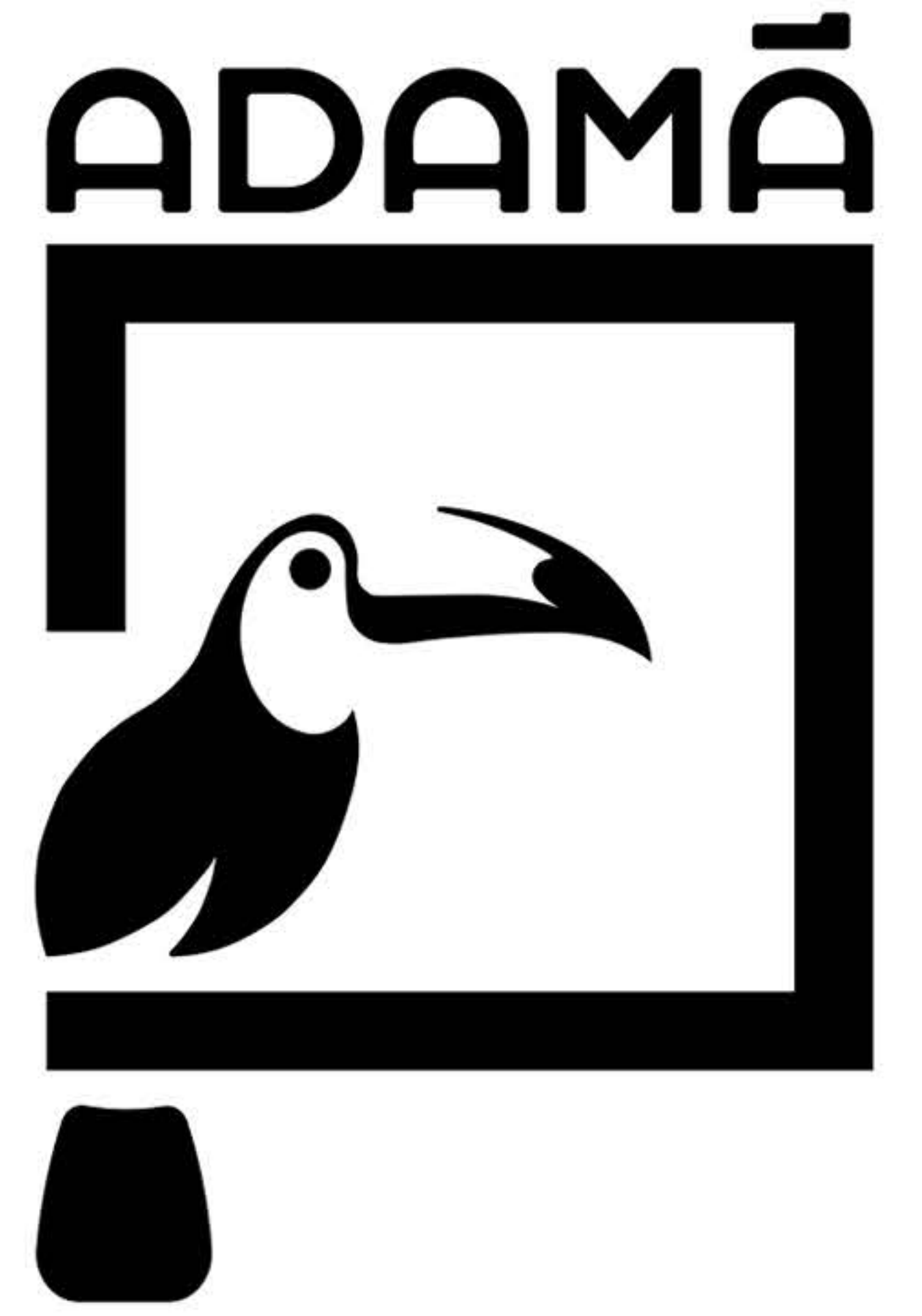


BEIRAMAR POOL COPING SYSTEM | OVERVIEW

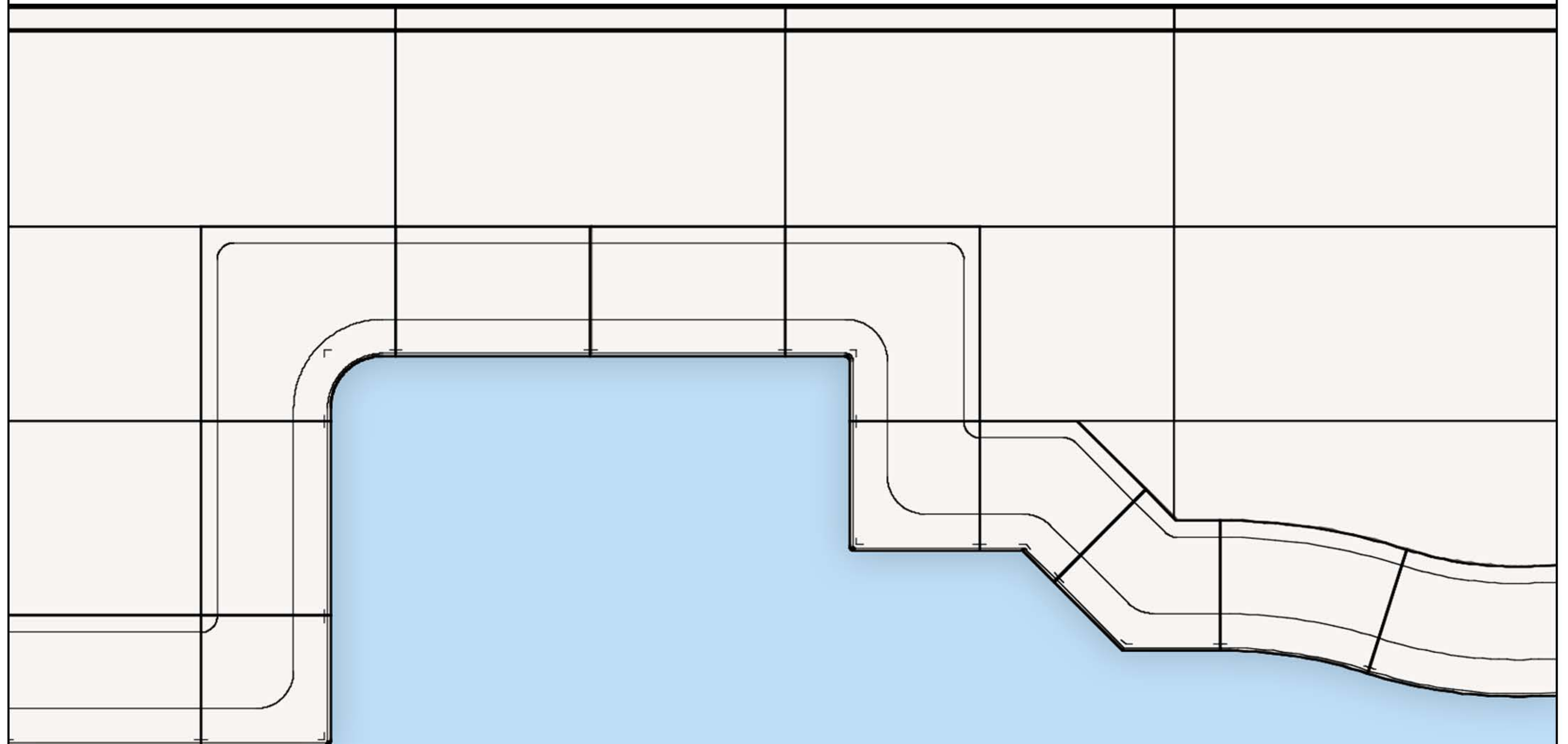


AN INTEGRATED POOL COPING SYSTEM

The Beiramar line is an integrated pool coping system designed by the American/Israeli architect Edan Shoher to provide a high end solution for contemporary pool and outdoor projects. The entire line was developed through a collaboration between the architect Edan Shoher, the design brand Adamá and the paving manufacturer Cimartex who brings over thirty years of expertise to the venture.

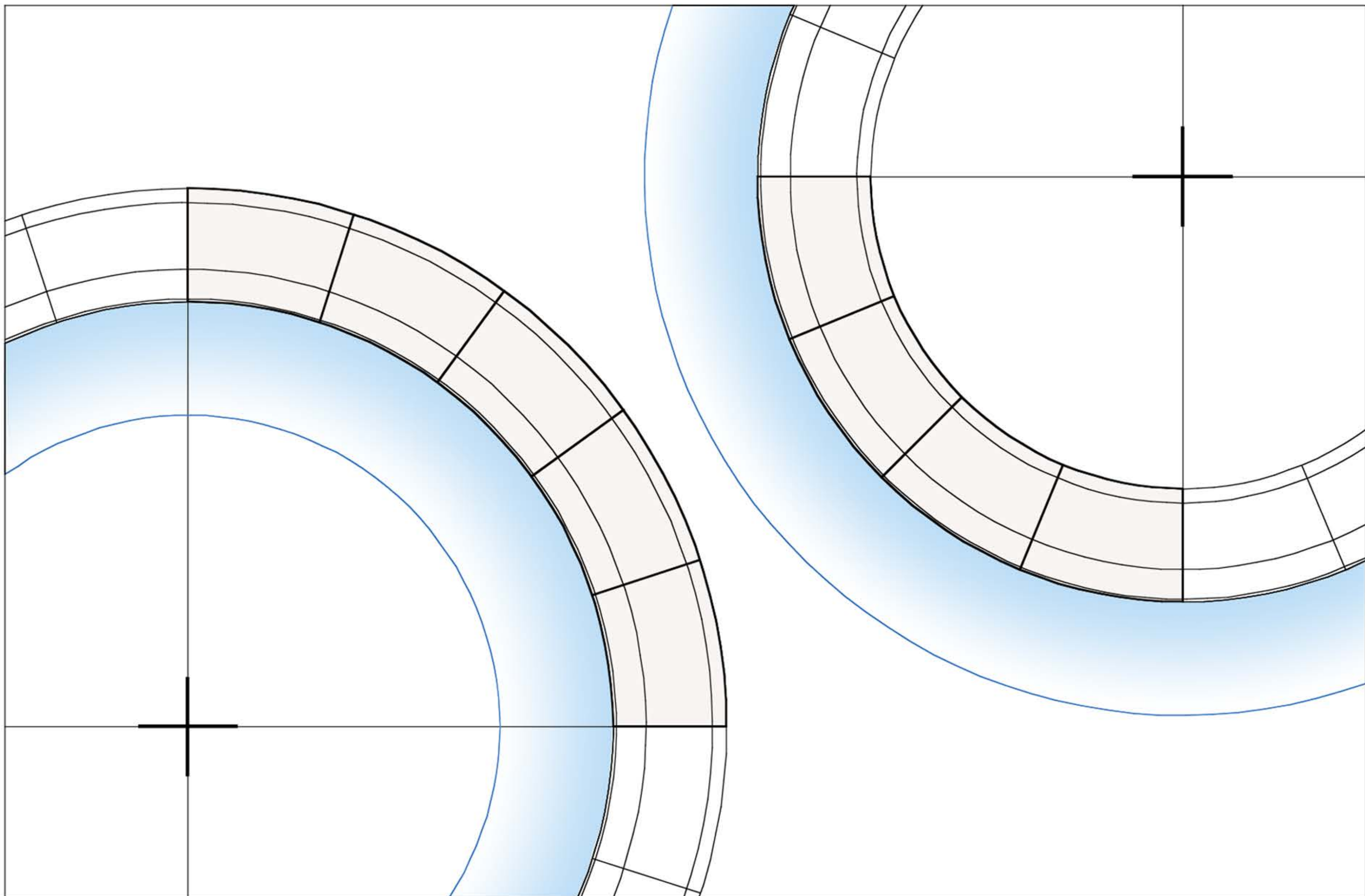
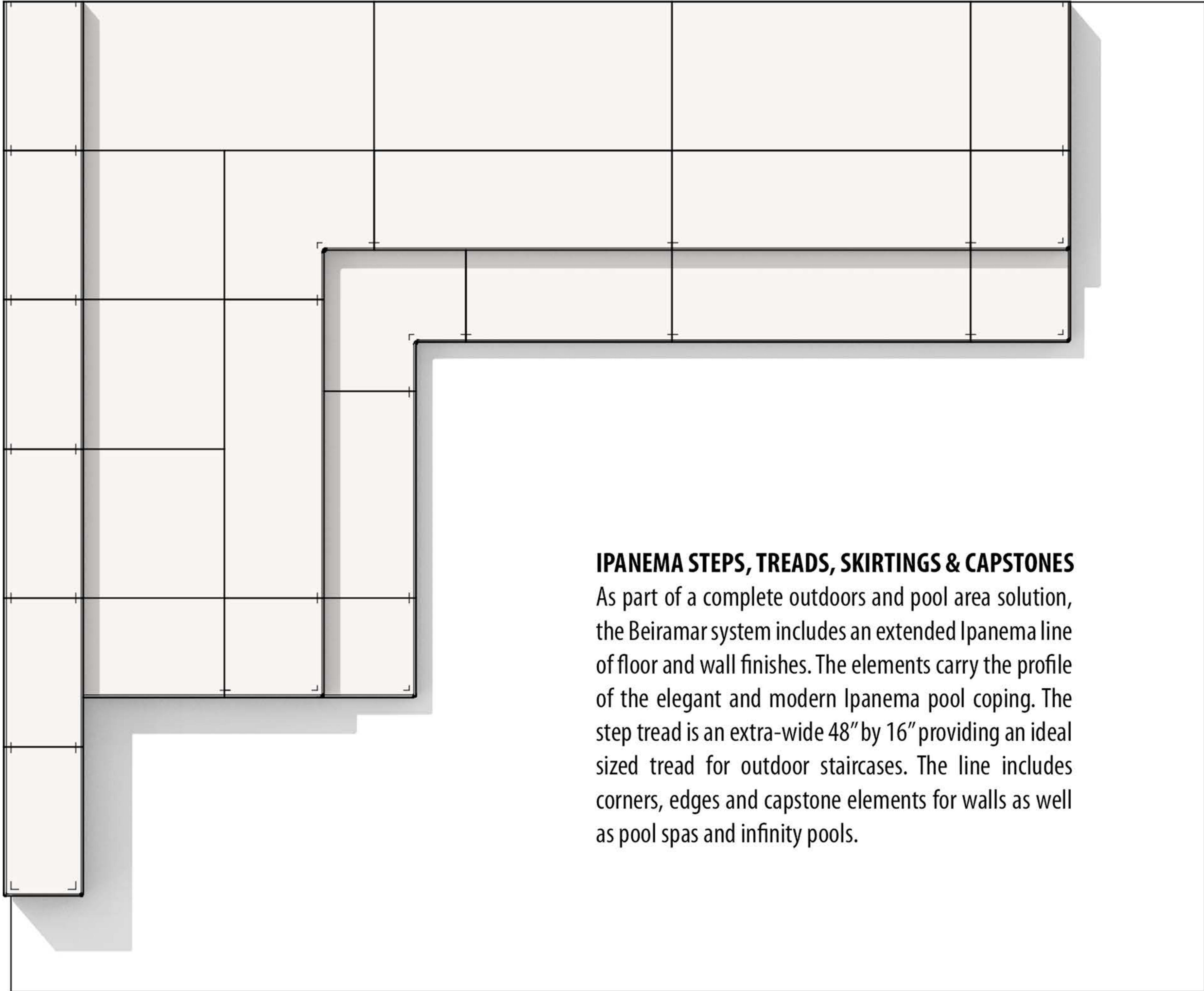
The design of the system of large format floor tiles, pool copings, step treads and capstones was inspired by the beautiful beaches of Brazil and brings cutting edge product caresteristics while retaining the natural look of the handcrafted manufacturing process. The concrete elements come in two natural sand colors and their lightly aerated composition provides superior thermal charecteristics and complete slip resistance.

Edan Shoher, an American/Israeli architect renowned for his unique projects and retro-futuristic style, is Adamá's Creative Director and chief designer. Currently based in São Paulo, Brazil, he has studied architecture in SCI-Arc in Los Angeles and the AA School of Architecture in London. His projects, spanning the globe, have been featured in countless publications and he is frequently invited to speak about his work and approach to design. Edan Shoher brings to Adamá his singular style and extensive experience of three decades in the field.



DESIGNED DOWN TO THE SMALLEST DETAILS

We thought about the smallest details to provide a clean and contemporary look. The floor tile measurements take into account the grout width of other elements, the curved pool coping elements form perfect quarter circles. All corner elements are pre-solved with no need to cut elements in 45°. The subtle profiles look refined and rounded corners safe.

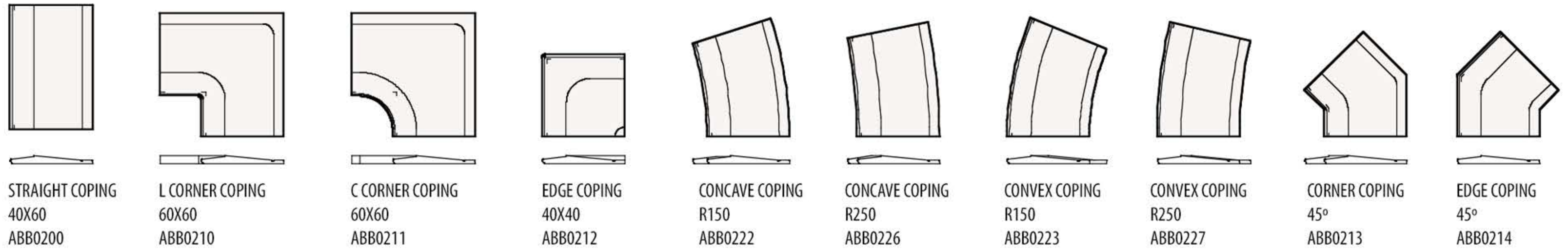


BEIRAMAR POOL COPING SYSTEM | PRODUCTS

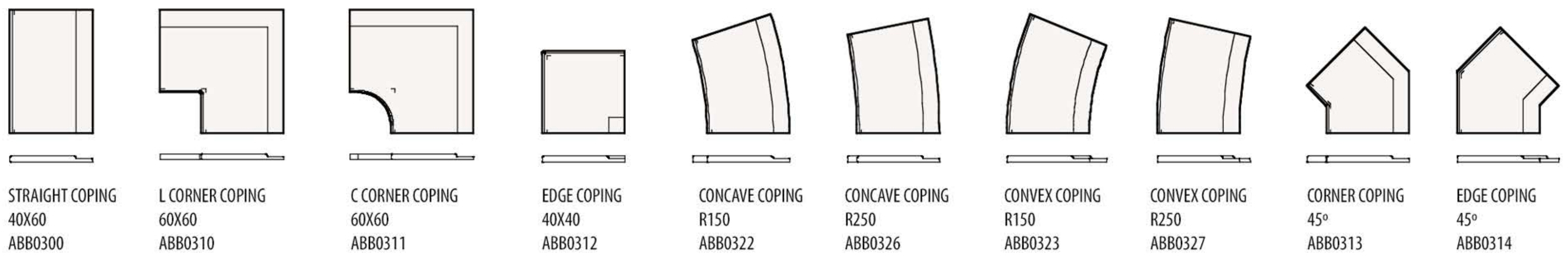
- All the Beiramar coping lines can be installed with glass mosaic, ceramic or stone tiled pools. For vinyl lined pools all but the Ipanema line are recommended.
- The complete line is available in two natural sand colors:



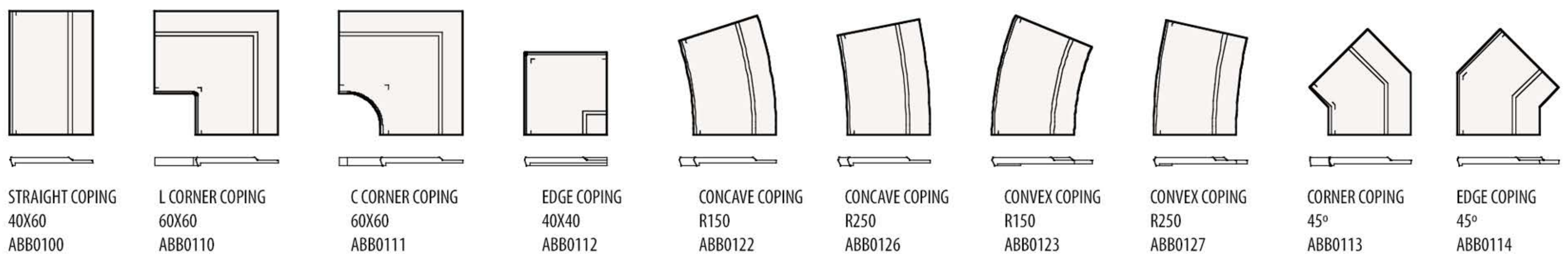
RECIFE LINE



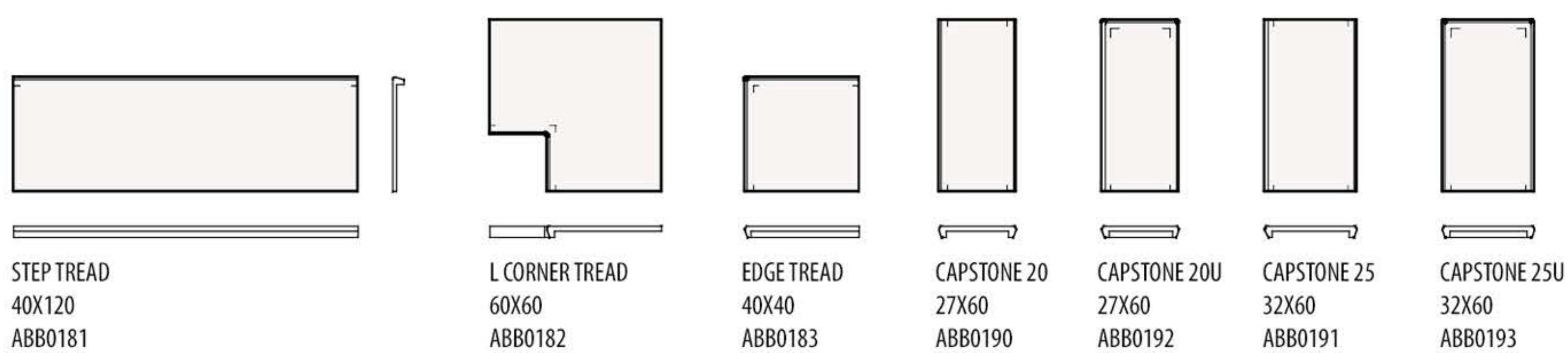
LEBLON LINE



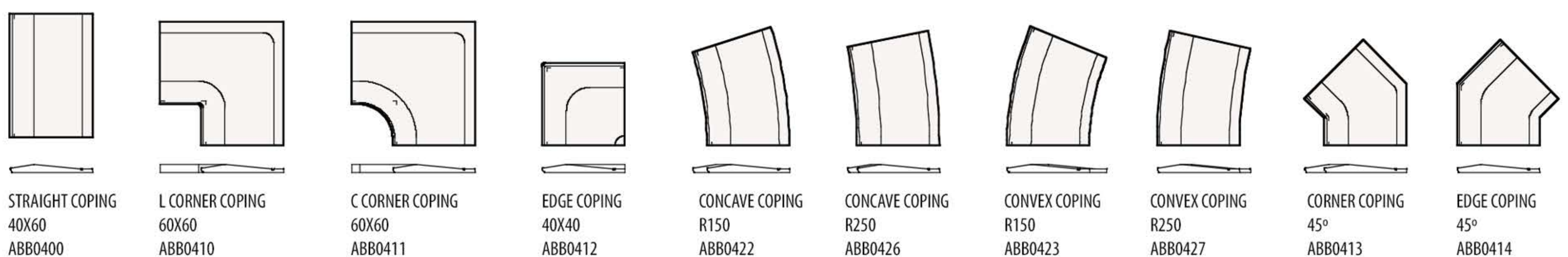
IPANEMA LINE



IPANEMA FINISHES



RIVIERA LINE

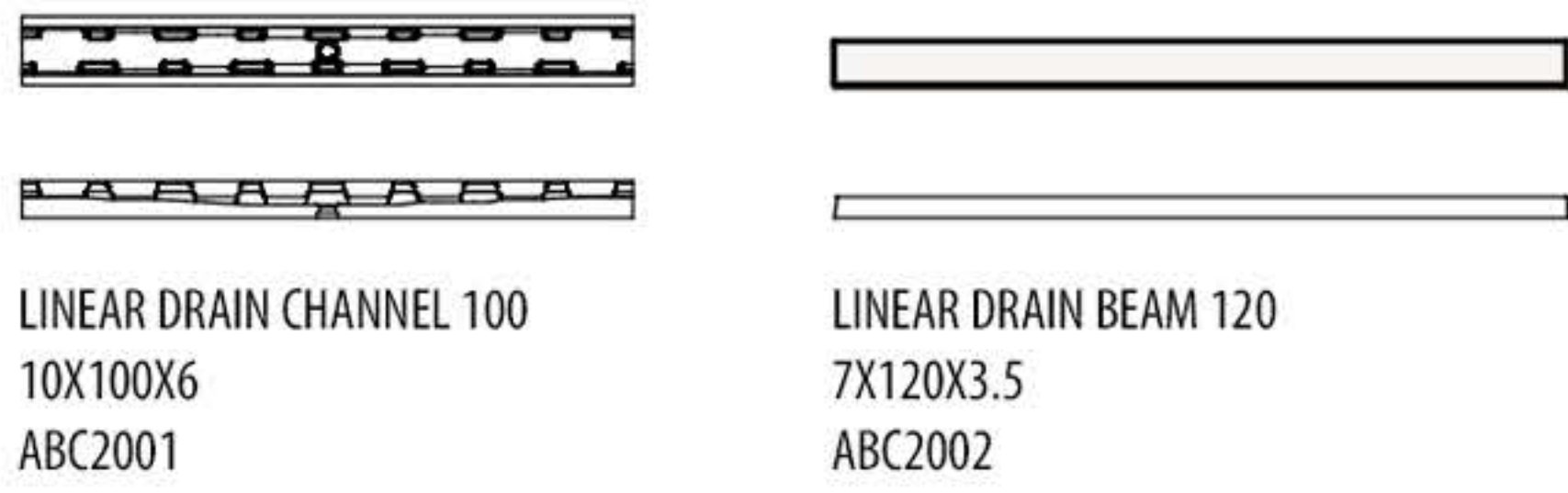


BEIRAMAR POOL AREA FLOORING SYSTEM | PRODUCTS

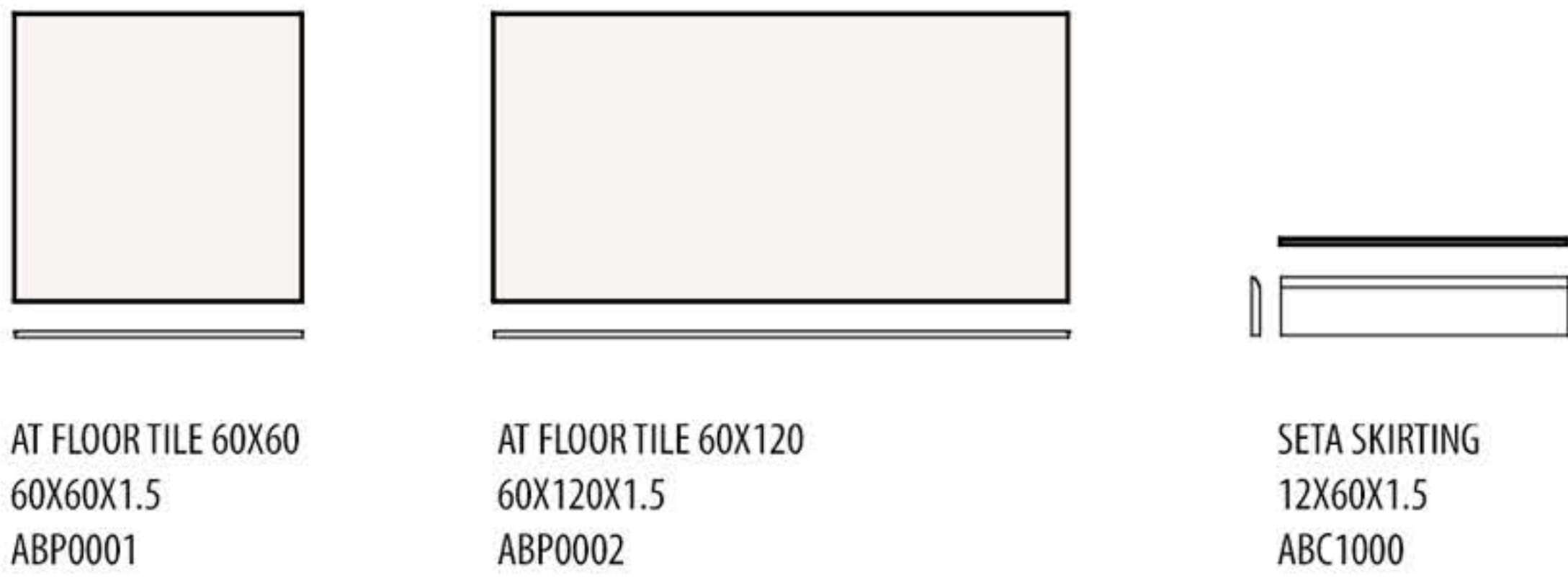
• The complete line is available in two natural sand colors:



DRAIN SYSTEM

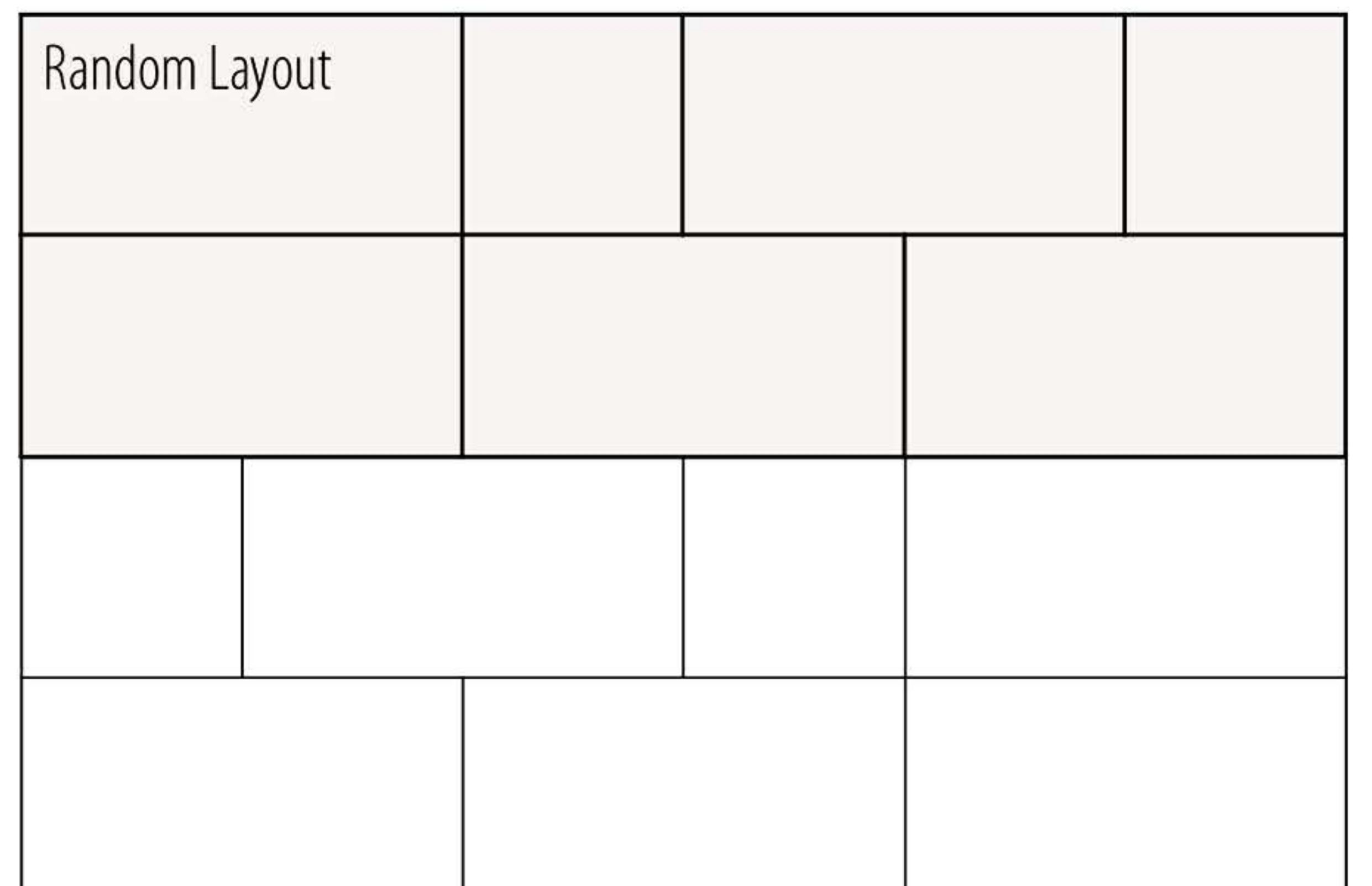
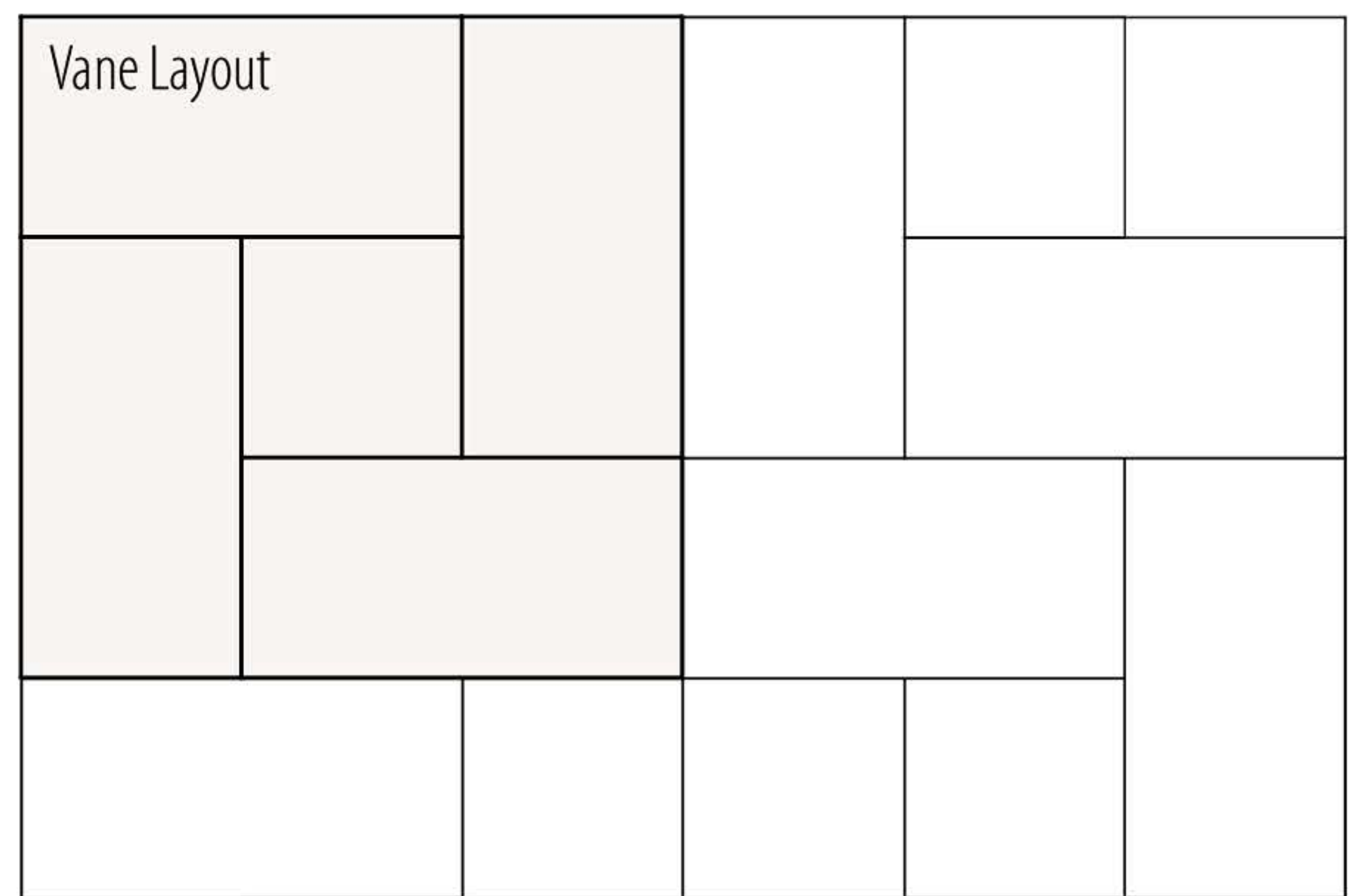
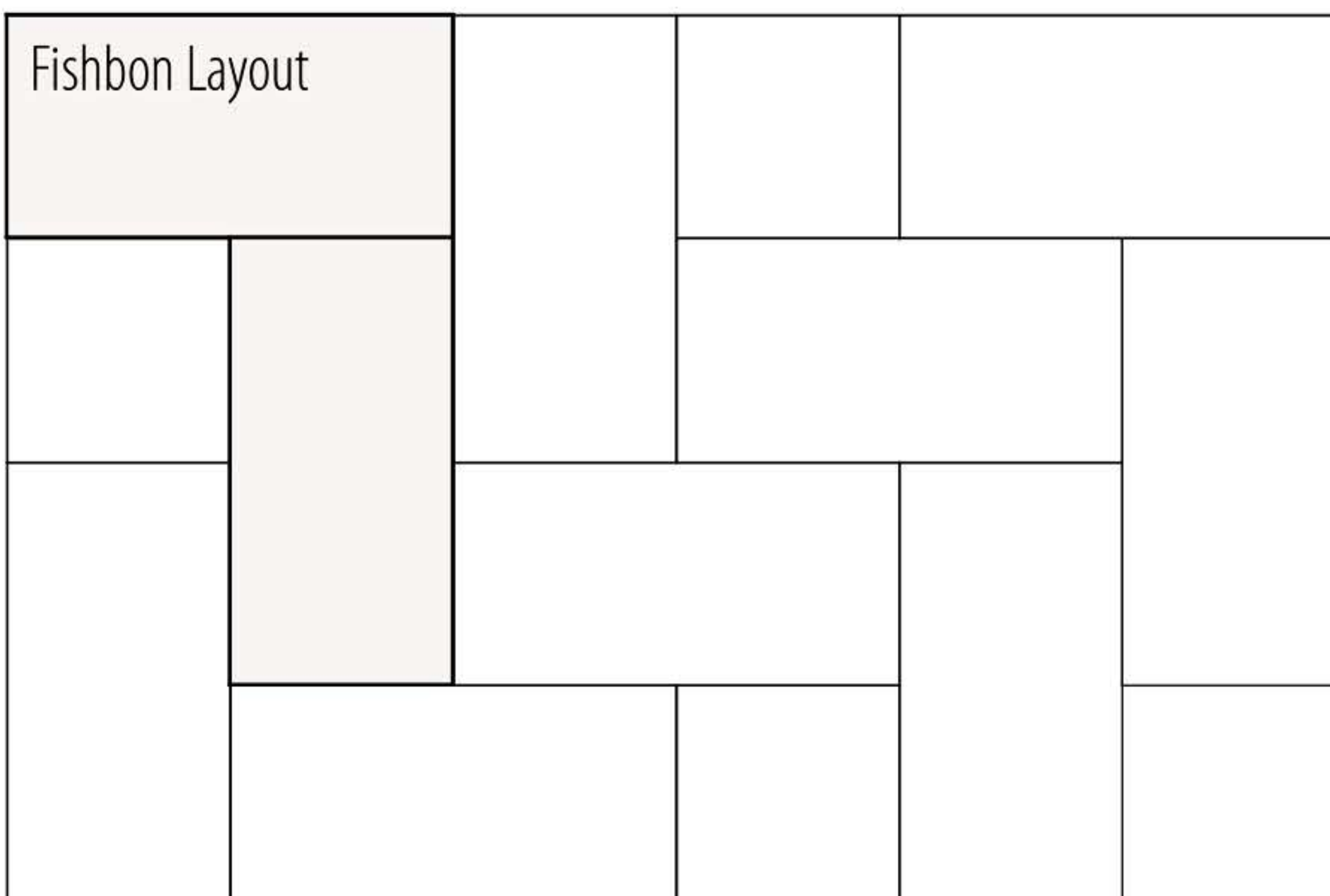
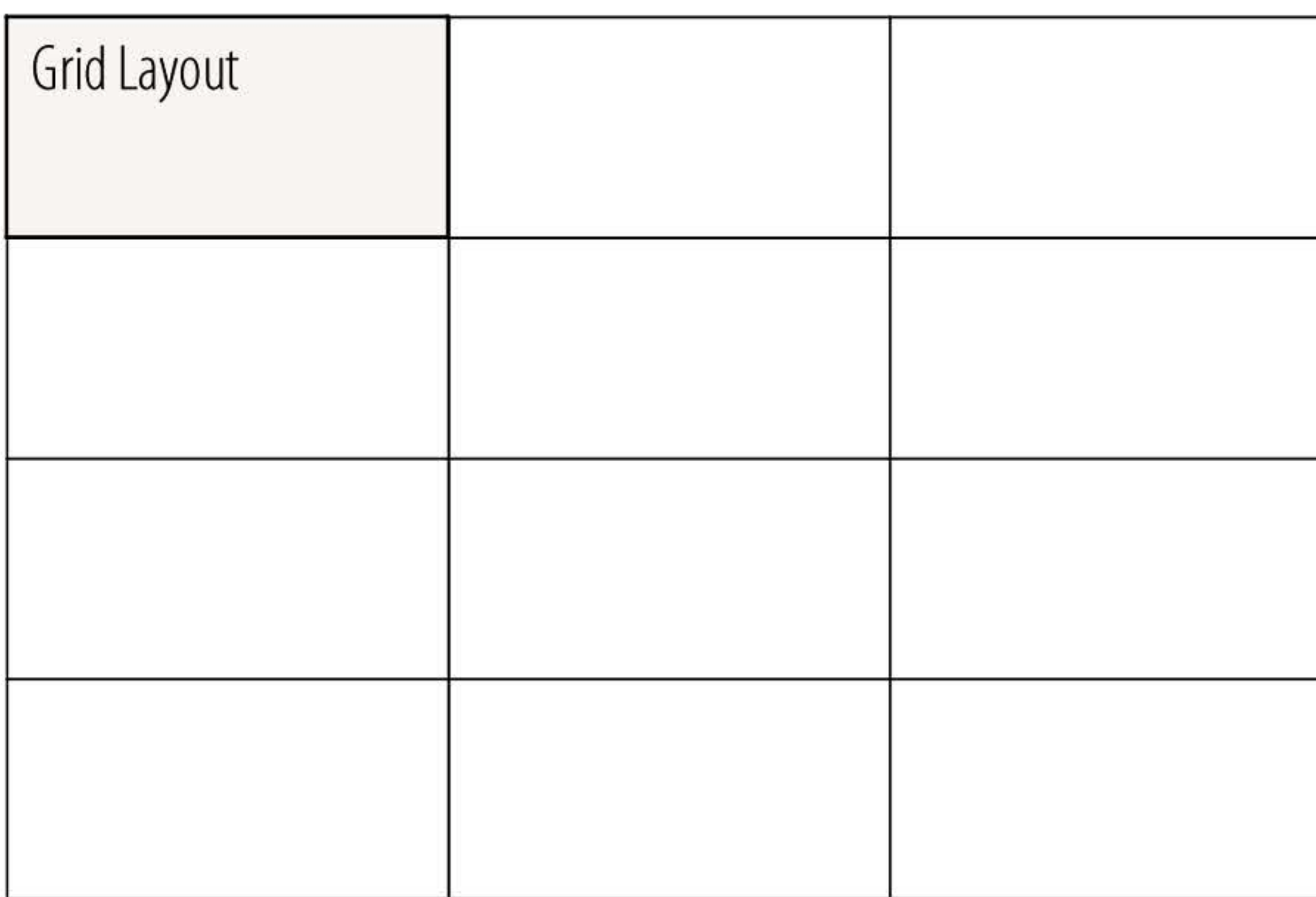


FLOOR SYSTEM



FLOORING SYSTEM

The floor tiles, skirting tiles and the linear drain system are all made to compose a perfectly matched layout. The large format tiles provide a clean and contemporary look and are only 5/8" thick to facilitate installation and provide flexibility. Two floor tile sizes are offered and the larger rectangular tile has an extra 3mm added to its length to compensate for the grout between two square tiles. This allows for unprecedented layout options while maintaining a consistent grout width of only 3mm.



BEIRAMAR POOL COPING SYSTEM | DATA SHEET

AN INTEGRATED POOL COPING SYSTEM

The Beiramar line is an integrated pool coping system designed to provide a high end solution for contemporary pool and outdoor projects. The system of large format floor tiles, pool copings, step treads and capstones brings cutting edge product characteristics and a refined and modern look. Super-slim tiles facilitate installation, while the concrete elements' lightly aerated composition provides superior thermal characteristics and complete slip resistance.

LINES & MODELS

The Beiramar coping system is comprised of five unique lines:

RECIFE: Triangular, futuristic model with a dual sloped design, one containing rainwater and the other returning to the swimming pool.

LEBLON: Minimalistic, modern and super-thin edge with clean and minimalist look, creating a line skirting the pool.

IPANEMA: Our most complete line, perfect for tiles pools. A contemporary profile with a chamfered edge conceals the seam with the pool tiles and gives a perfect finish to the pool. An extensive line of stair treads and wall capstones complements the pool border with the same architectural language.

RIVIERA: Dresses the pool with a classic and stately edge.

FLOOR TILES SYSTEM: Large format floor tiles can be composed to provide different looks depending on the project's style. Skirting tiles and linear drains complete the system.

FORMATS

Pool Coping straights are 40cmx60cm (16"x24"); corners are 40cmx40cm (16"x16") or 60cmx60cm (24"x24"); radius components vary but are always sized to complete a quarter circle. Floor tiles are 60cmx60cm (24"x24") or 60cmx120.3cm (24"x48"). The skirting tile is 12cm x 60cm (5"x24"). Floor tiles and coping profile tails are super-slim at only 5/8 of an inch .

COLORS

All Beiramar models come in two natural colors: Sand (Areia) and Moon White (Lual)

APPLICATION

High-tech prefabricated concrete parts with non-slip surface for pool coping and outdoor floor installations.

COMPOSITION

Adamá products are composed of natural quartz stones, special additives and Portland cement which is the main raw material.

INSTALLATION

See installation manual of the Beiramar system, available at: <https://www.adamadesign.com.br/pagina-tecnica>

PROTECTION

All manufactured products receive basic factory protection that aids with cleaning during handling in the installation process. After installation use an oil repellent protection, applied as per manufacturer's instructions.

CLEANING & MAINTENANCE

Use alkaline detergent, mop or high pressure jet. Follow the instructions in the installation manual. Important Never use acidic cleaning products as use may cause irreversible damage. Maintain and perform cleaning as needed, follow the guidance in the installation manual.

CONSUMER ASSISTANCE

The contact can be made by e-mail contato@adamadesign.com.br, through the site www.adamadesign.com.br and by phone +55 15 3202 8170.

PERFORMANCE

Non-slip property

<0.4 Satisfactory for normal installations 0.4 Recommended for use where slip resistance is required

Our results: Dry Area: 0.68 | Wet Area: 0.43

COMPRESSIVE STRENGTH TESTS

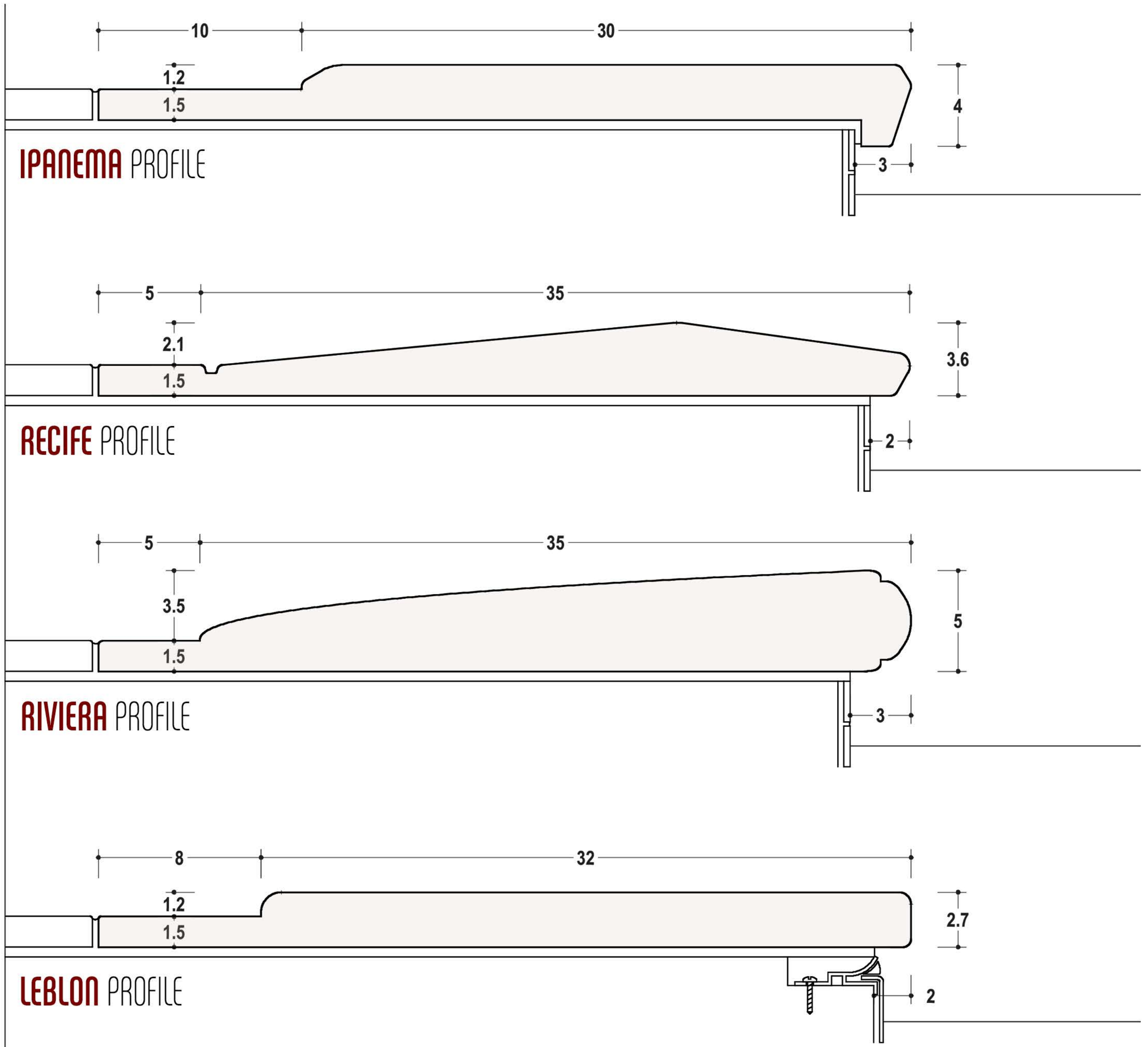
NBR NM 33/98, NM 67/98 e NBR 5738/15 Our results: 28 days = 6.526 PSI

ABSORPTION

ASTM C140: Not more than 12% Our results: 8%

BEIRAMAR POOL COPING SYSTEM | PROFILE MEASUREMENTS & POSITIONING

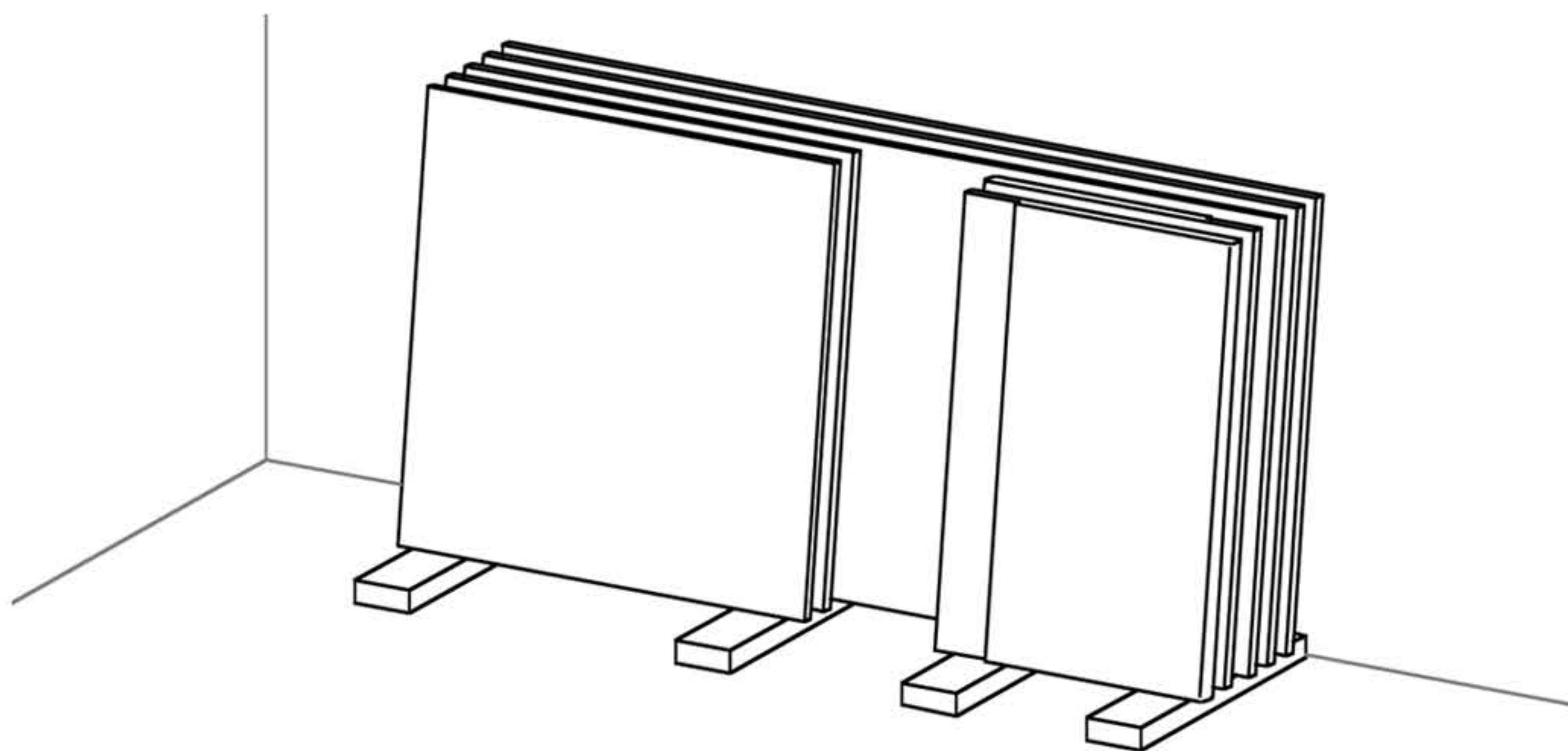
- Measurements in centimeters. Position the pool coping elements relative to the final pool finish, not the structural wall. In the case of vinyl pools consult the manufacturer for positioning and height information.



BEIRAMAR POOL COPING SYSTEM | INSTALLATION

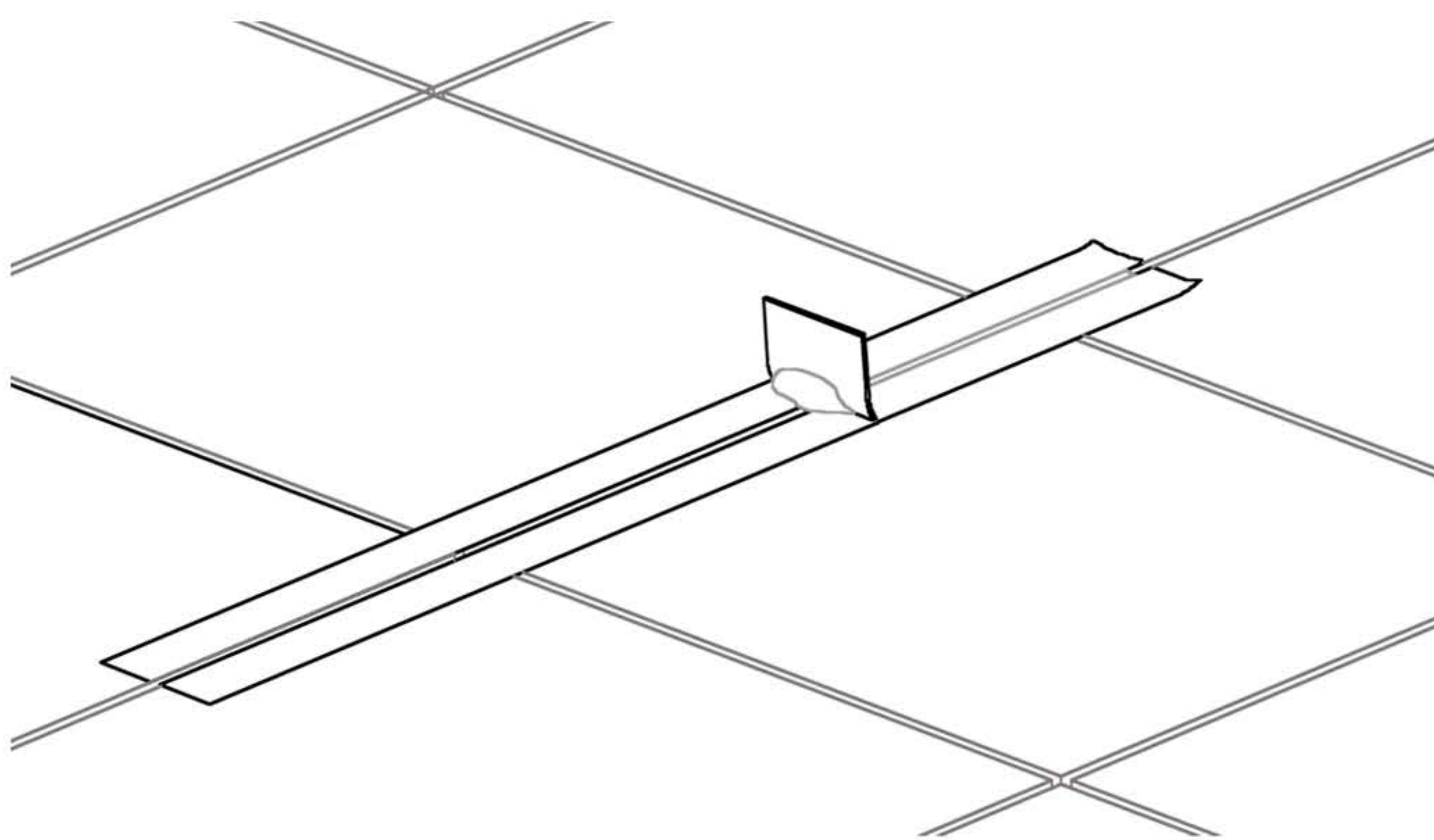
1. STORAGE

- Provide a covered and dry location for storage.
- Always place tiles on clean and dry wood beams to lift them from the floor level to protect from humidity.
- Store tiles as vertically as possible.
- Position tiles front face to front face and back to back to protect the finish.
- Cover tiles if exposed to dirt, dust or humidity.



3. GROUTING

- Grout only after tiles are firmly glued and the mortar dry.
- Protect tiles with painter masking tape on both sides of the gap.
- Use grout colors similar in shade and texture to the tiles.
- Remove masking tape before grout completely dries and clean tiles from any excessive grout.



For complete installation guides visit: www.adamadesign.com.br

2. INSTALLATION

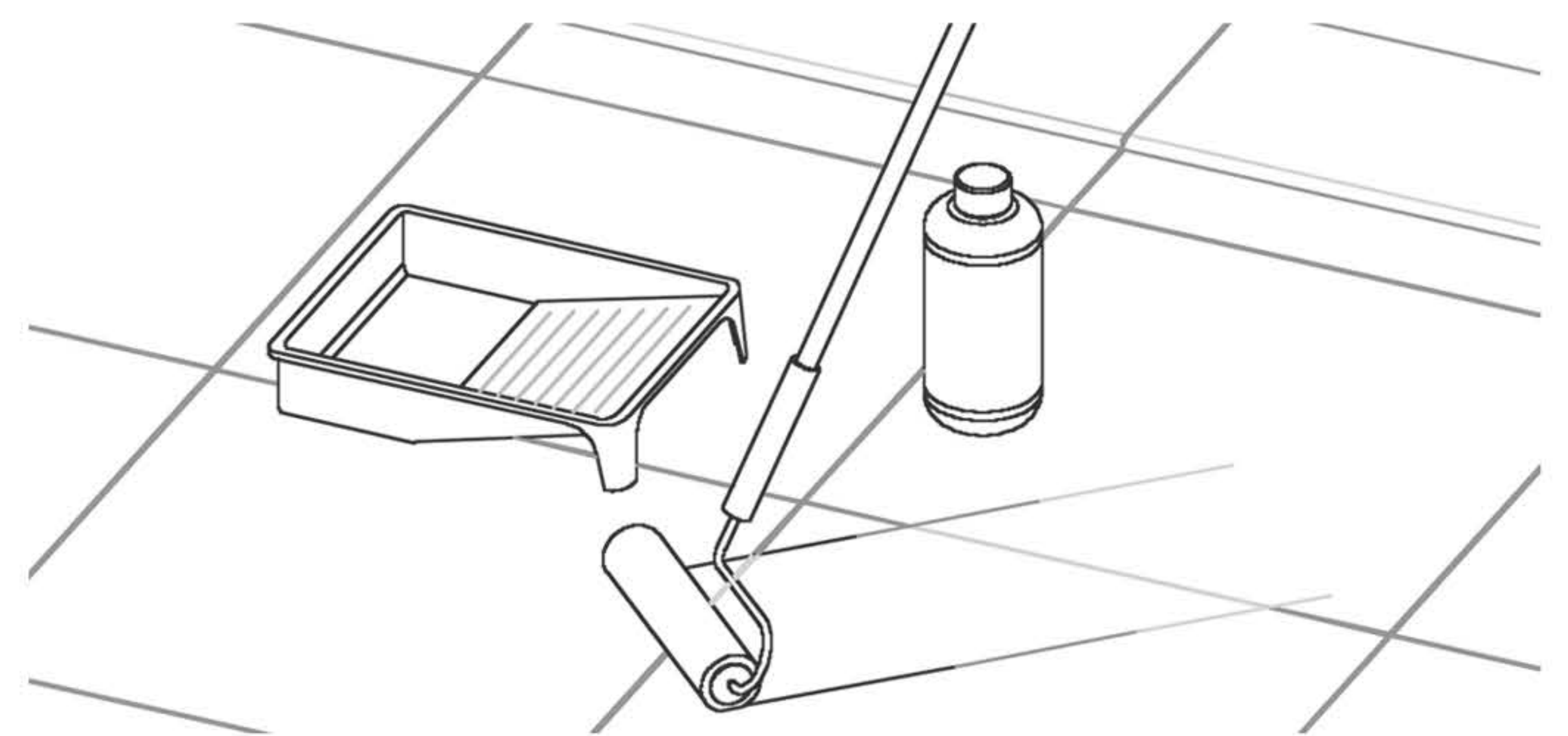
- Follow layout specified in project and start installation at marked point in the plans.
- Position the pool borders relative to the pool wall following the distances specified above.

Location:

- Avoid installing when the ambient temperature is higher than 30°C (86°F) and lower than 10° (50°).
- The floor slab should be slightly humid but not wet and completely free of fissures.

Adhesive:

- Use a light colored mortar (ACIII) for outdoor installations.
- Place tiles with a 3mm gap between them using a spacer.



4. CLEANING & PROTECTION

Cleaning:

- Use alkaline detergent with a mop or high pressure jet. Follow the instructions in the installation manual. Important: Never use acidic cleaning products as use may cause irreversible damage. In case of heavy staining use alkaline cleaners for cement tiles.

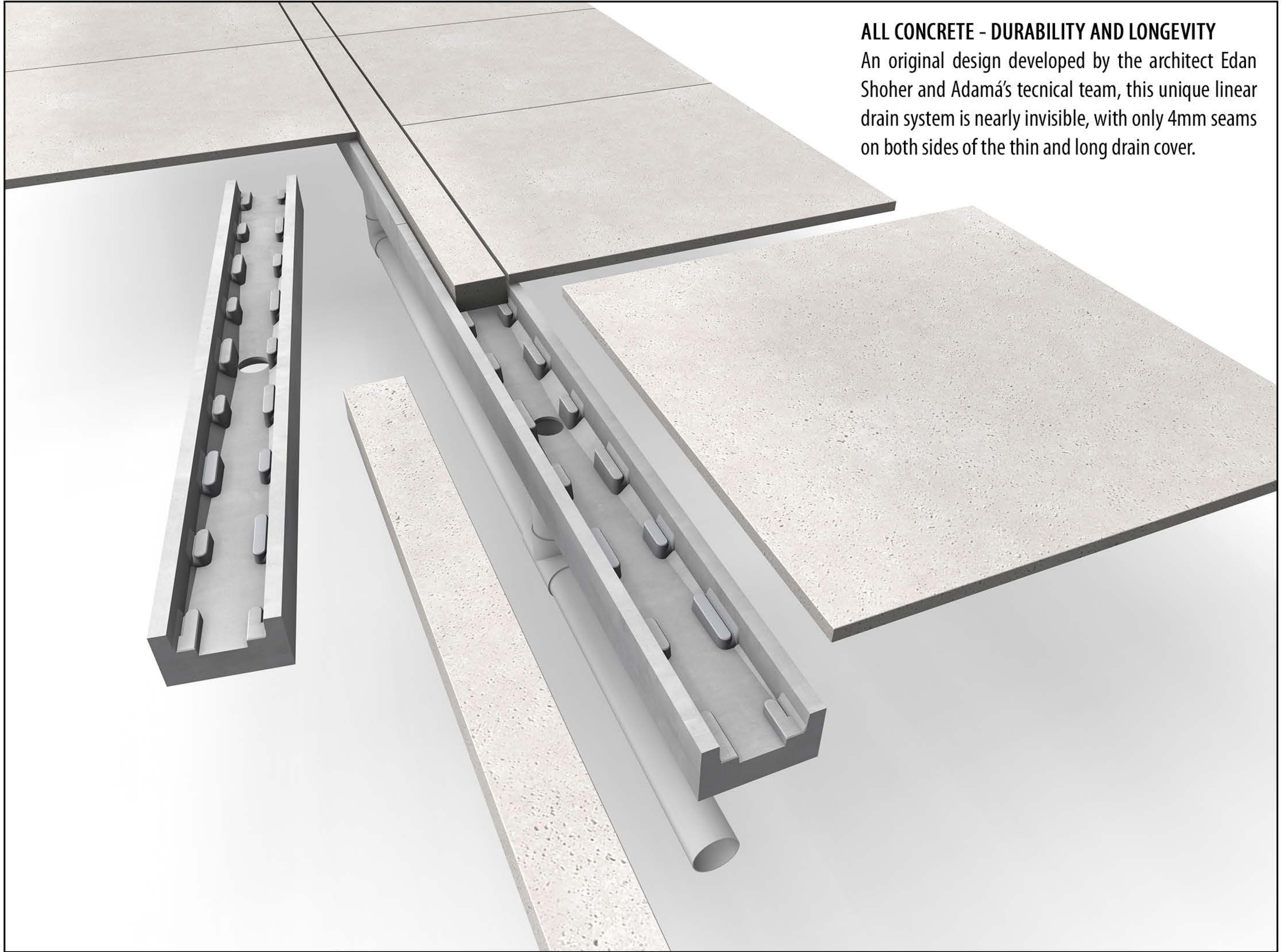
Protection:

- When the tiles are completely clean and dry use an oil repellent protection. Apply as per manufacturer's instructions.

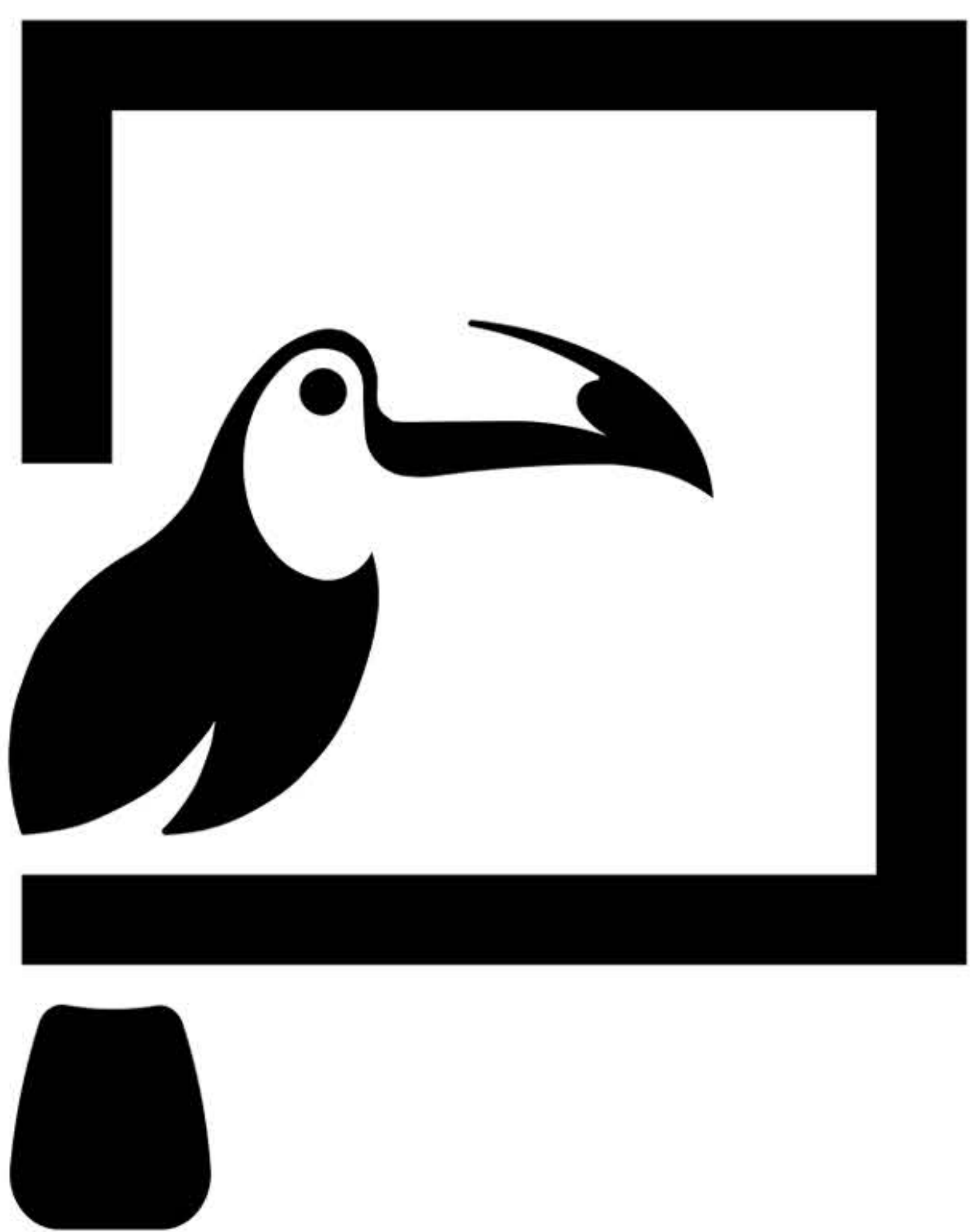
BEIRAMAR LINEAR DRAIN SYSTEM | OVERVIEW

ALL CONCRETE - DURABILITY AND LONGEVITY

An original design developed by the architect Edan Shoher and Adamá's technical team, this unique linear drain system is nearly invisible, with only 4mm seams on both sides of the thin and long drain cover.



ADAMÁ



Adamá is an innovative brand, developing original designs inspired by Brazilian culture and nature, developing solutions for interior, exterior and leisure spaces. Specializing in cement and concrete products, Adamá's collections are meticulously developed and manufactured, integrating cutting edge technology with an artisan's human touch.

With the benefit of around 30 years of experience through the Cimartex Group, Adamá was created through a collaboration between the American/Israeli architect Edan Shoher and Cimartex to focus on inspired design and innovative technology to market. Our products are being sold through global home centers such as Leroy Merlin as well as specialized boutique stores.

We are committed to a good practices manufacturing, responsible administration and the environment. Our production, while centered around the experienced artisan, is highly controlled and supported by our technical and engineering department. The resulting product has a standardised quality but retains the magic of the handmade process.