

ADAMĀ



BEIRAMAR COPING SYSTEM
NEXT GENERATION INTEGRATED COPING SYSTEM FOR POOLS AND OUTDOORS

BEIRAMAR COPING SYSTEM

A next generation integrated coping pool system, inspired by Brazil's beautiful beaches. The Beiramar line integrates the sophisticated design of the large format elements with the durability and longevity of concrete.



RECIFE

Stealth

IPANEMA

Modern

LEBLON

Minimalist



RECIFE



Stealth

The futuristic Recife (reef in Portuguese) has a double sloped profile, one to contain rainwater overflow and the other to return splashed pool water. The stealth profile has subtle indents and crests that outline the pool visually while maintaining a comfortable tactile feel.



IPANEMA

Modern

Our most complete line, perfect for tiles pools. A contemporary profile with a chamfered edge conceals the seam with the pool tiles and gives the pool a perfect finish. An extensive line of stair treads, wall capstones and skirtings complements the pool border with the same modern architectural language.



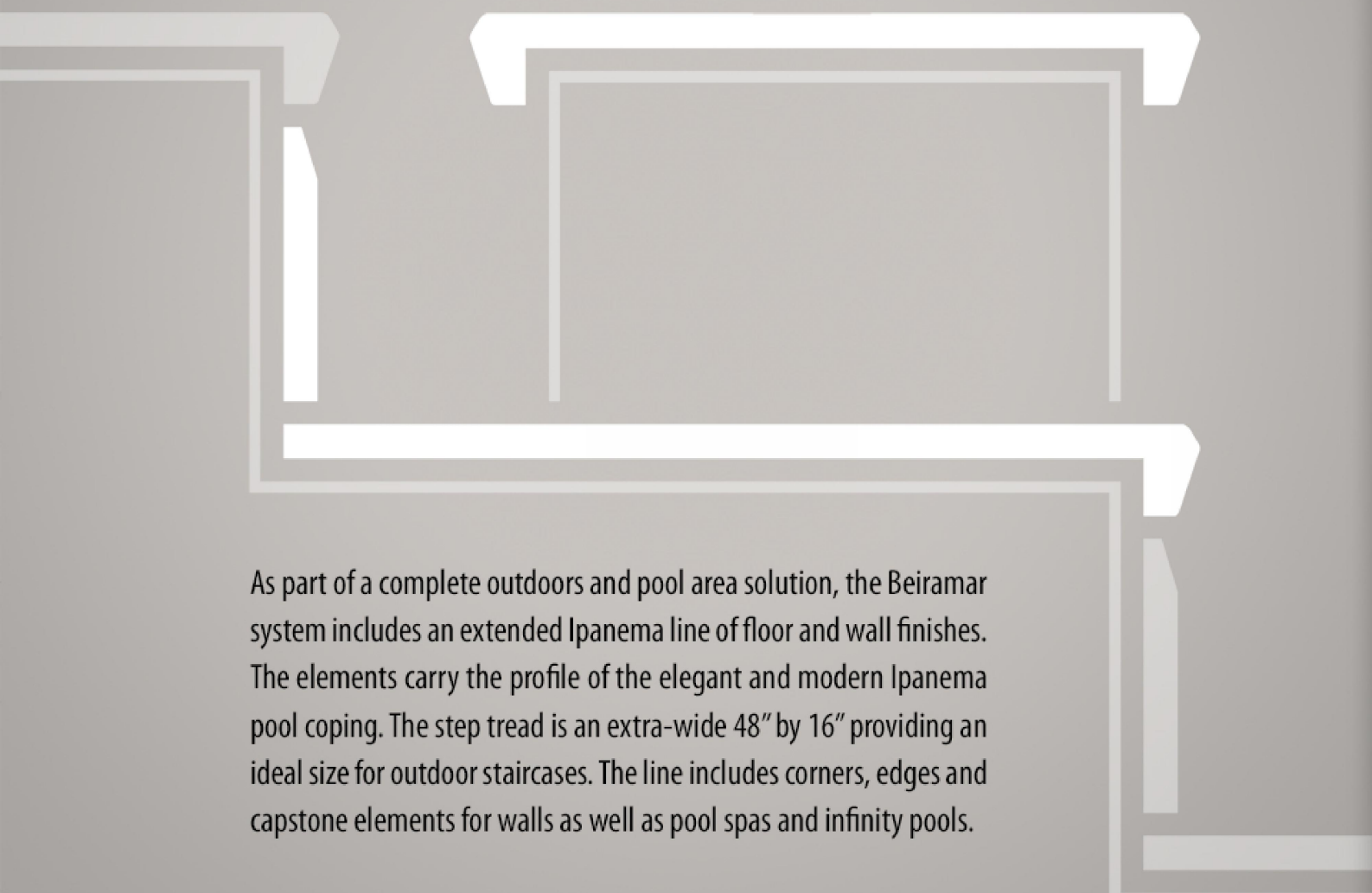
LEBLON

Minimalist

Minimalistic, modern and super-thin edge with clean and minimalist look, creating a line skirting and delineating the pool. Leblon's subtle design complements projects that range from extra-modern to classic.



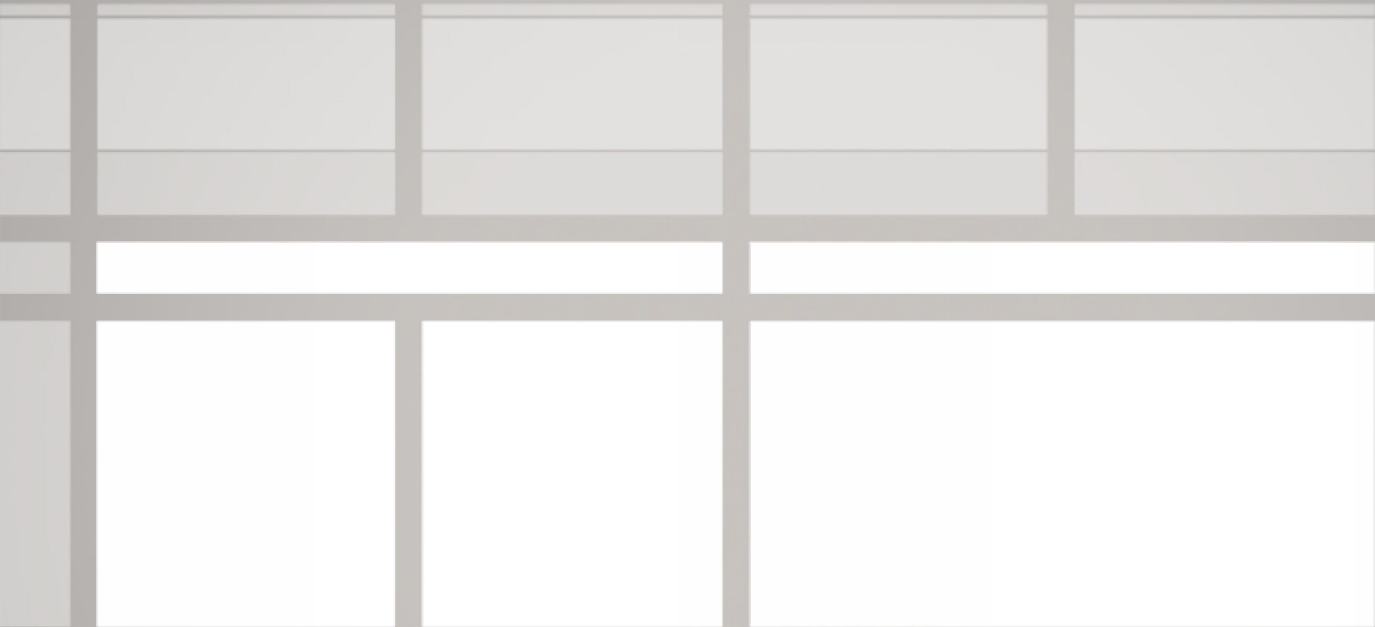
TREADS, CAPSTONES & SKIRTINGS



As part of a complete outdoors and pool area solution, the Beiramar system includes an extended Ipanema line of floor and wall finishes. The elements carry the profile of the elegant and modern Ipanema pool coping. The step tread is an extra-wide 48" by 16" providing an ideal size for outdoor staircases. The line includes corners, edges and capstone elements for walls as well as pool spas and infinity pools.



FLOORING SYSTEM



The floor tiles , skirting tiles and the linear drain system are all made to compose a perfectly matched layout. The large format tiles provide a clean and contemporary look and are only 5/8" thick to facilitate installation and provide flexibility. Two floor tile sizes are offered and the larger rectangular tile has an extra 3mm added to its length to compensate for the grout between two square tiles. This allows for unprecedented layout options while maintaining a consistent grout width of only 3mm.



BEIRAMAR RAY POOL

COPING:

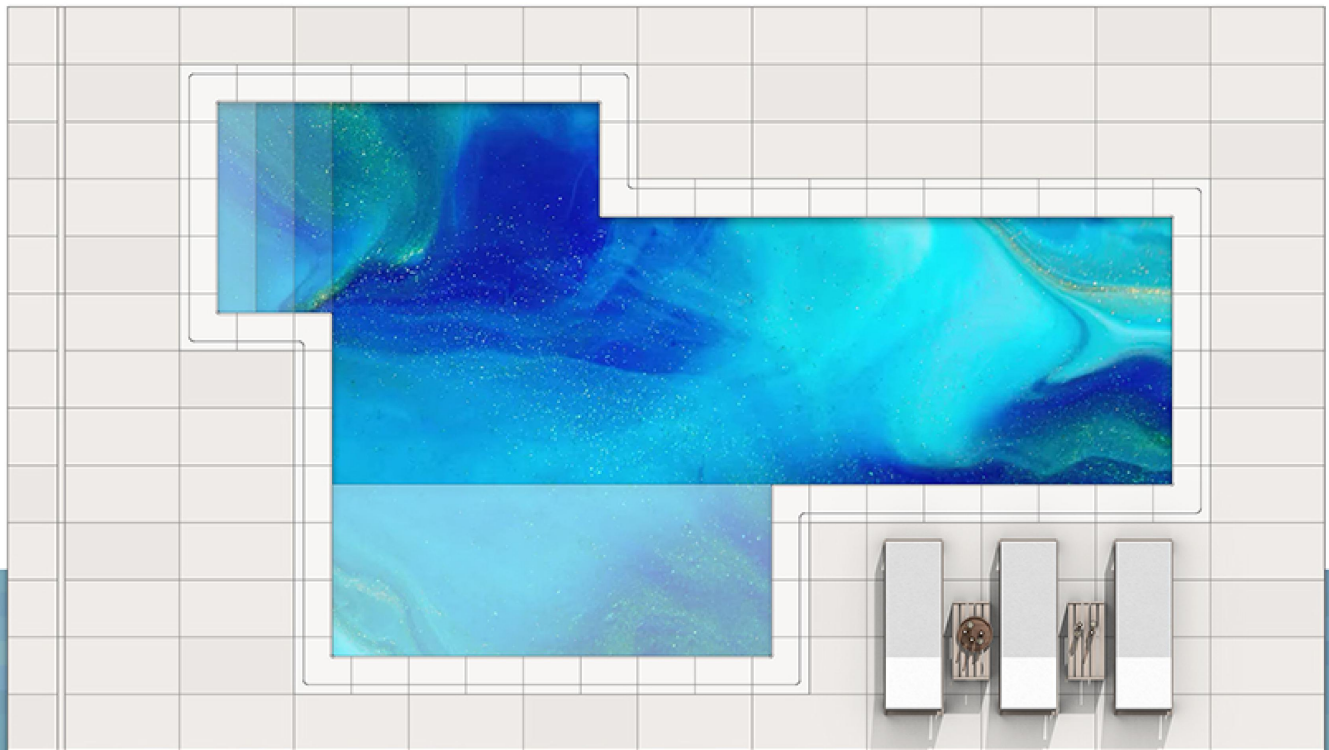
43x Straight Coping 40x60
7x Corner Coping L 60x60
3x Edge Coping 40x40

FLOOR TILES:

69x AT Froot Tile 60x120
16x AT Floor Tile 60x60

SUPPLEMENTARY ELEMENTS:

8x Linear Drain Base 100
7x Linear Drain AT Tile 120



BEIRAMAR POND POOL

COPING:

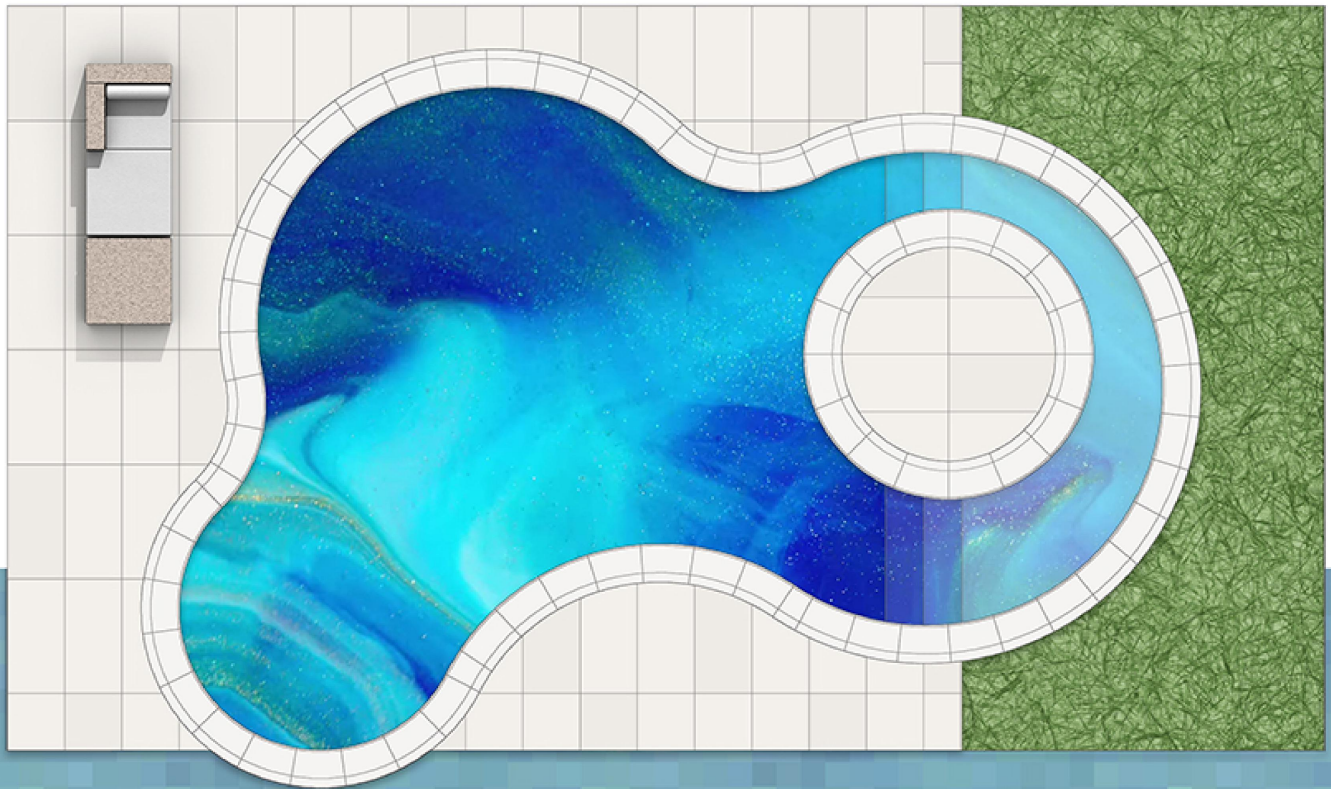
11x Concave Coping R150
22x Convex Coping R150
35x Concave Coping R250
8x Convex Coping R250

FLOOR TILES:

59x AT Floor Tile 60x120

SUPPLEMENTARY ELEMENTS:

4x Ipanema Step Tread 40x120



BEIRAMAR BISEL POOL

COPING:

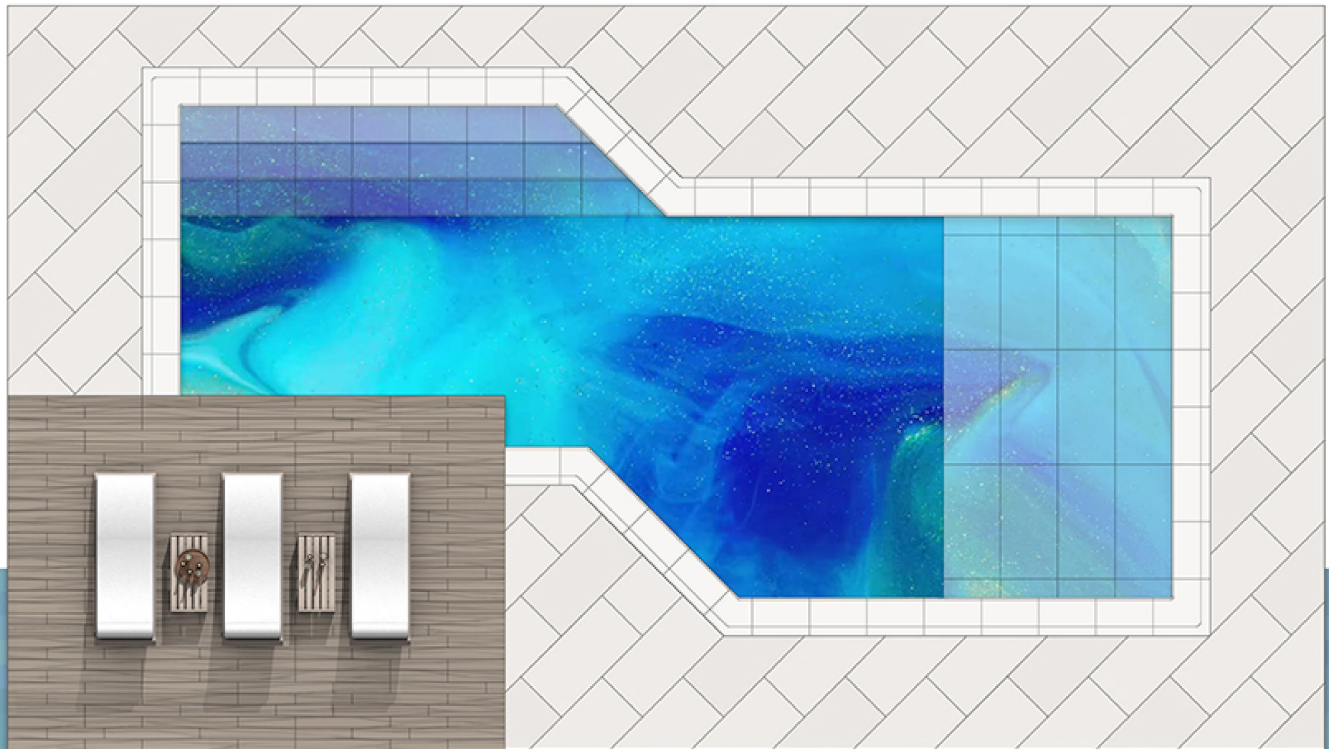
38x Straight Coping 40x60
3x Corner Coping L 60x60
2x Corner Coping 45°
2x Edge Coping 45°

FLOOR TILES:

63x AT Floor Tile 60x120
126x SC Deck 12x100
100x SC Deck 12x60

SUPPLEMENTARY ELEMENTS:

24x Ipanema Step Tread 40x120



BEIRAMAR ROMAN POOL

COPINGS:

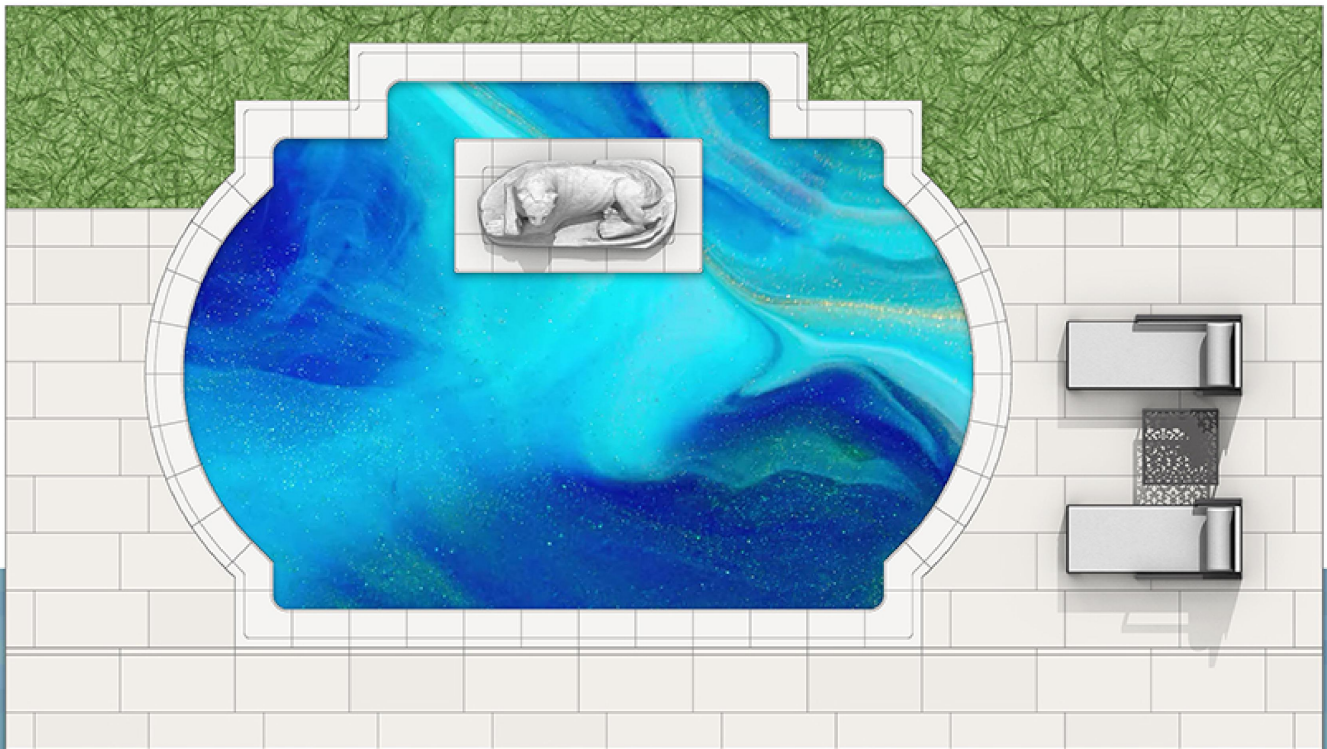
26x Straight Coping 40x60
10x Corner Coping C 60x60
6x Edge Coping 40x40
4x Edge Coping 45°
16x Concave Coping R250

FLOOR TILES:

58x AT Floor Tile 60x120
11x AT Floor Tile 60x60

SUPPLEMENTARY ELEMENTS:

10x Ipanema Step Tread 40x120
14x Linear Drain Base 100
12x Linear Drain AT Tile 120



BEIRAMAR WATERFALL POOL

COPING:

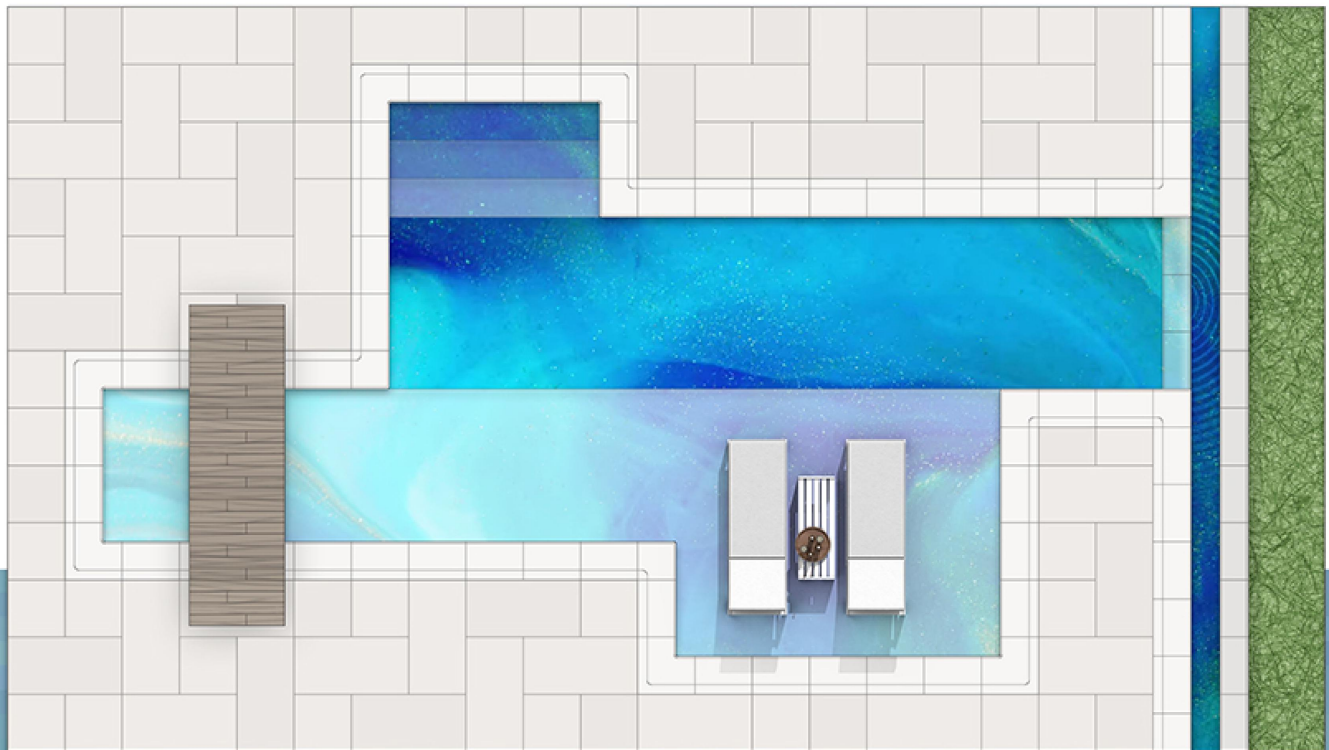
52x Straight Coping 40x60
6x Corner Coping L 60x60
6x Edge Coping 40x40

FLOOR TILES:

39x AT Floor Tile 60x120
42x AT Floor Tile 60x60
14x SC Deck 12x100
28x SC Deck 12x60

SUPPLEMENTARY ELEMENTS:

16x Ipanema Capstone 20



BEIRAMAR BEACH POOL

COPING:

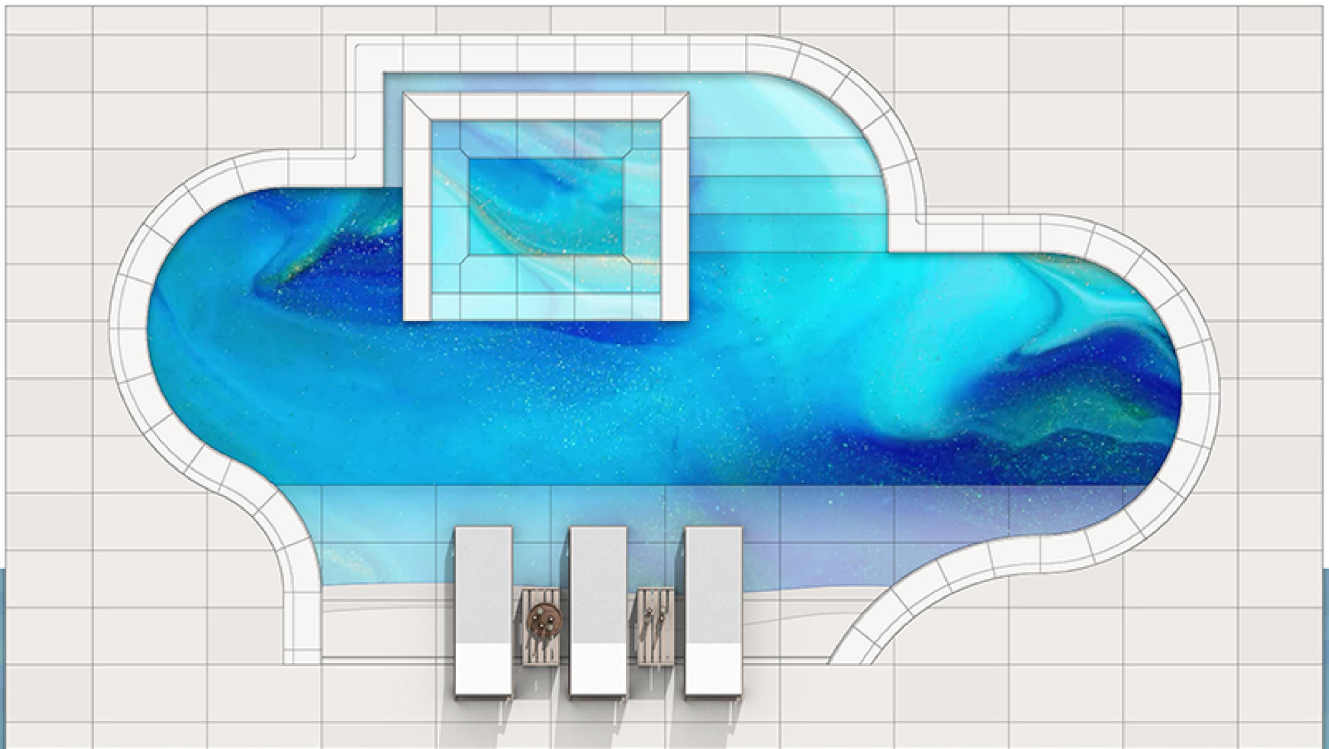
- 10x Straight Coping 40x60
- 1x Corner Coping L 60x60
- 2x Edge Coping 40x40
- 23x Concave Coping R150
- 3x Convex Coping R150
- 5x Convex Coping R250

FLOOR TILES:

- 102x AT Floor Tile 60x120
- 4x AT Floor Tile 60x60

SUPPLEMENTARY ELEMENTS:

- 10x Ipanema Step Tread 40x120
- 13x Ipanema Capstone 20 27x60
- 6x Linear Drain Base 100
- 5x Linear Drain AT Tile 120



BEIRAMAR POOL COPING SYSTEM | PRODUCTS

DRAIN SYSTEM



LINEAR DRAIN CHANNEL 100
10X100X6
ABC2001



LINEAR DRAIN BEAM 120
7X120X3.5
ABC2002

FLOOR SYSTEM



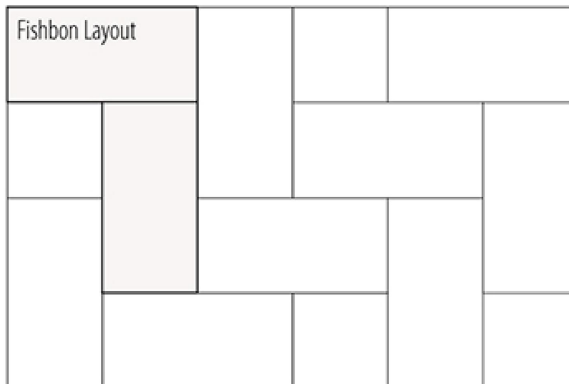
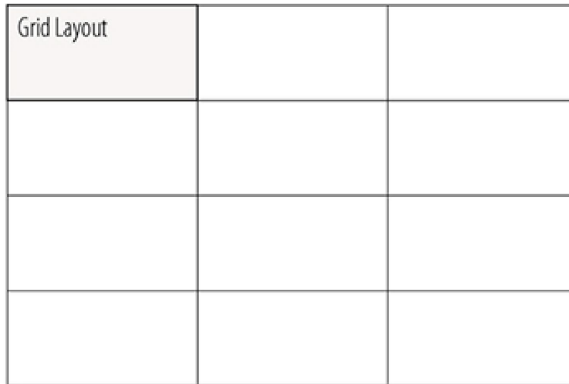
AT FLOOR TILE 60X60
60X60X1.5
ABP0001



AT FLOOR TILE 60X120
60X120X1.5
ABP0002

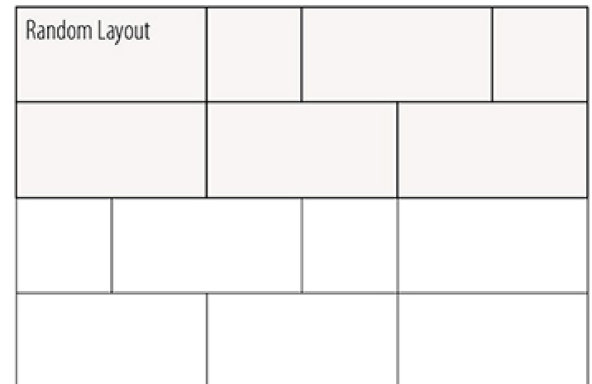
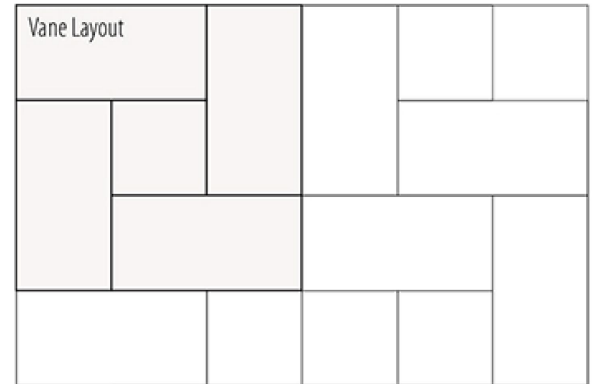


SETA SKIRTING
12X60X1.5
ABC1000



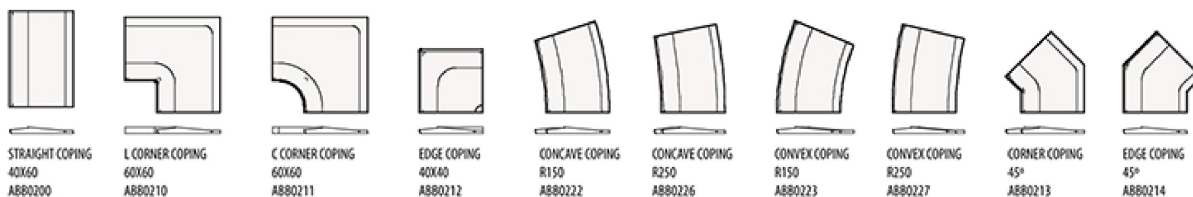
FLOORING SYSTEM

The floor tiles, skirting tiles and the linear drain system are all made to compose a perfectly matched layout. The large format tiles provide a clean and contemporary look and are only 5/8" thick to facilitate installation and provide flexibility. Two floor tile sizes are offered and the larger rectangular tile has an extra 3mm added to its length to compensate for the grout between two square tiles. This allows for unprecedented layout options while maintaining a consistent grout width of only 3mm.



• All the Beiramar coping lines can be installed with glass mosaic, ceramic or stone tiled pools. For vinyl lined pools all but the Ipanema line are recommended.

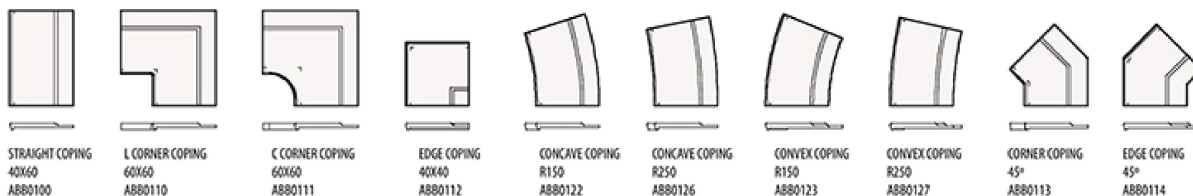
RECIFE LINE



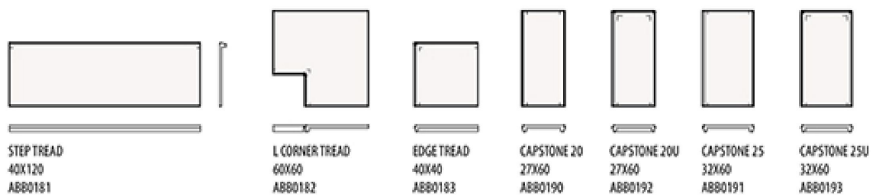
LEBLON LINE



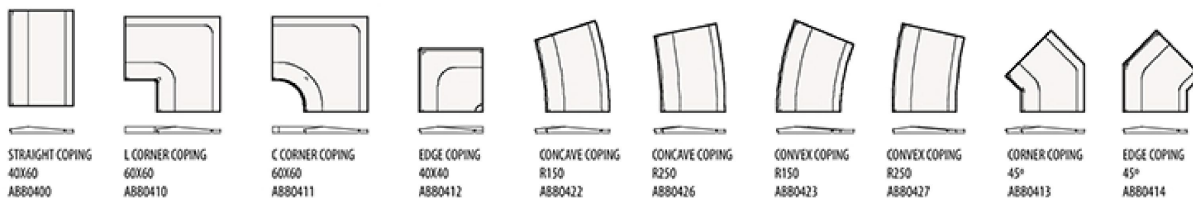
IPANEMA LINE



IPANEMA FINISHES

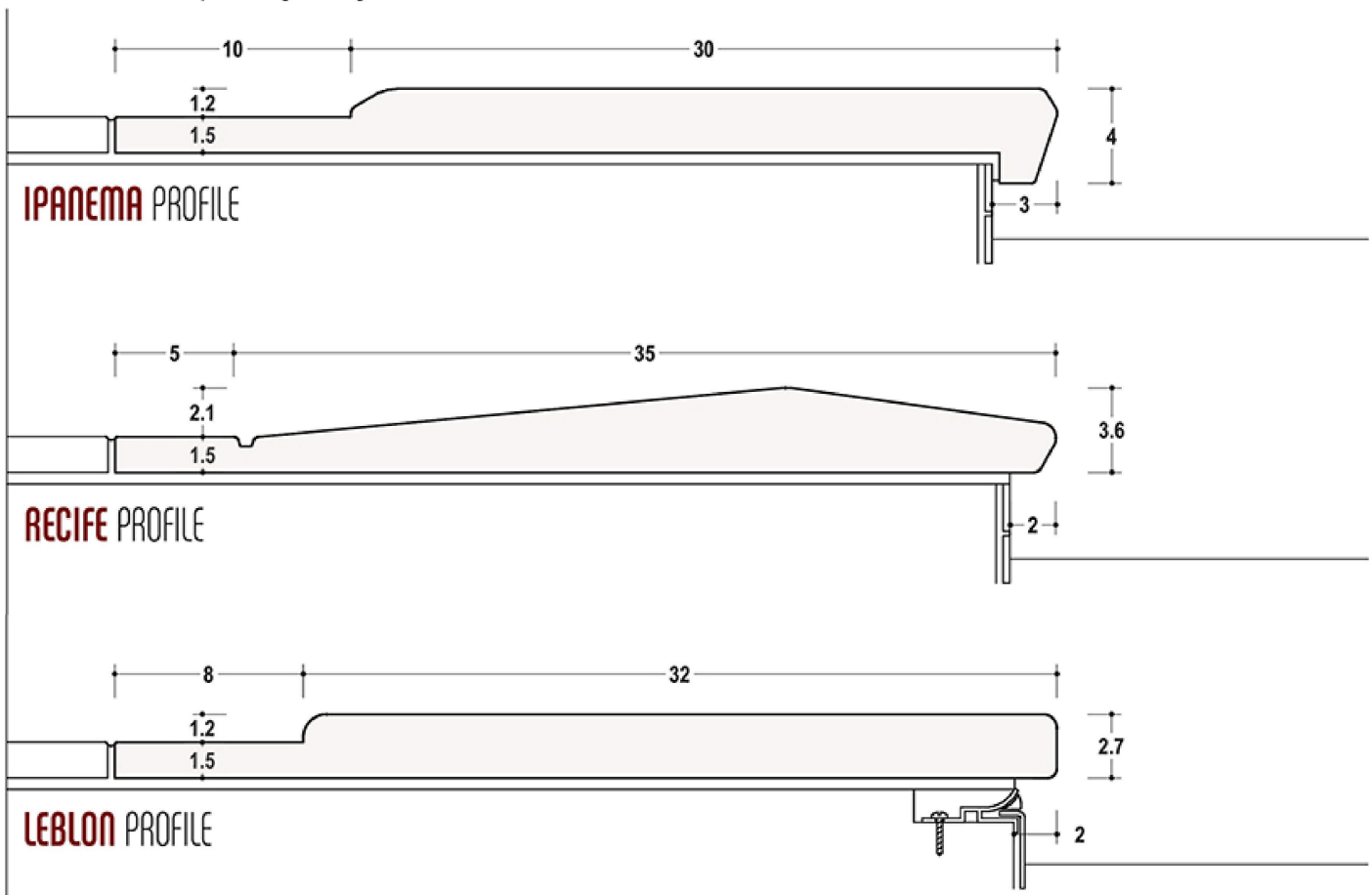


RIVIERA LINE



BEIRAMAR POOL COPING SYSTEM | PROFILE MEASUREMENTS & POSITIONING

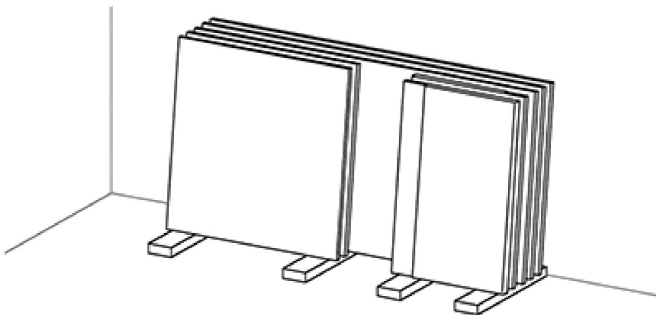
- Measurements in centimeters. Position the pool coping elements relative to the final pool finish, not the structural wall. In the case of vinyl pools consult the manufacturer for positioning and height information.



BEIRAMAR POOL COPING SYSTEM | INSTALLATION

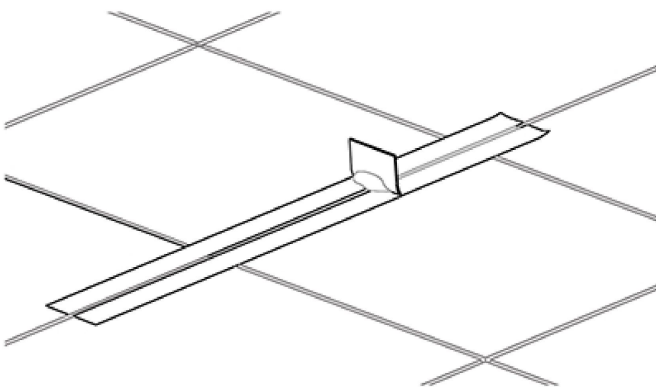
1. STORAGE

- Provide a covered and dry location for storage.
- Always place tiles on clean and dry wood beams to lift them from the floor level to protect from humidity.
- Store tiles as vertically as possible.
- Position tiles front face to front face and back to back to protect the finish.
- Cover tiles if exposed to dirt, dust or humidity.



3. GROUTING

- Grout only after tiles are firmly glued and the mortar dry.
- Protect tiles with painter masking tape on both sides of the gap.
- Use grout colors similar in shade and texture to the tiles.
- Remove masking tape before grout completely dries and clean tiles from any excessive grout.



For complete installation guides visit: www.adamadesign.com.br

2. INSTALLATION

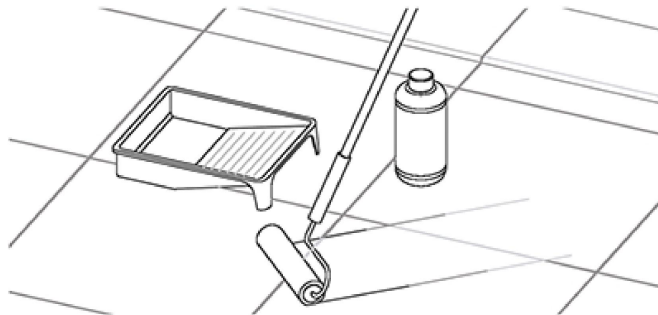
- Follow layout specified in project and start installation at marked point in the plans.
- Position the pool borders relative to the pool wall following the distances specified above.

Location:

- Avoid installing when the ambient temperature is higher than 30°C (86°F) and lower than 10° (50°).
- The floor slab should be slightly humid but not wet and completely free of fissures.

Adhesive:

- Use a light colored mortar (ACIII) for outdoor installations.
- Place tiles with a 3mm gap between them using a spacer.



4. CLEANING & PROTECTION

Cleaning:

- Use alkaline detergent with a mop or high pressure jet. Follow the instructions in the installation manual. Important: Never use acidic cleaning products as use may cause irreversible damage. In case of heavy staining use alkaline cleaners for cement tiles.

Protection:

- When the tiles are completely clean and dry use an oil repellent protection. Apply as per manufacturer's instructions.



ADAMÁ

Adamá is an innovative brand, developing original designs inspired by Brazilian culture and nature, developing solutions for interior, exterior and leisure spaces. Specializing in cement and concrete products, Adamá's collections are meticulously developed and manufactured, integrating cutting edge technology with an artisan's human touch.

DESIGN

Edan Shoher, an American/Israeli architect renowned for his unique projects and retro-futuristic style, is Adamá's Creative Director and chief designer. Currently based in São Paulo, Brazil, he has studied architecture in SCI-Arc in Los Angeles and the AA School of Architecture in London. His projects, spanning the globe, have been featured in countless publications and he is frequently invited to speak about his singular work and approach to design. Edan Shoher brings to Adamá his singular style and extensive experience of three decades in the field.

Edan Shoher | Architect
Adamá's Creative Director



ADAMĂ



www.adamadesign.com.br